



FOR FIRESTOP PIPES UP TO
MEDIUM DIAMETERS

ArmaProtect FC1

Firestop collar

Firestop collar for fire seals in walls and floors

// For sealing of combustible pipes without insulation up to 160 mm diameter

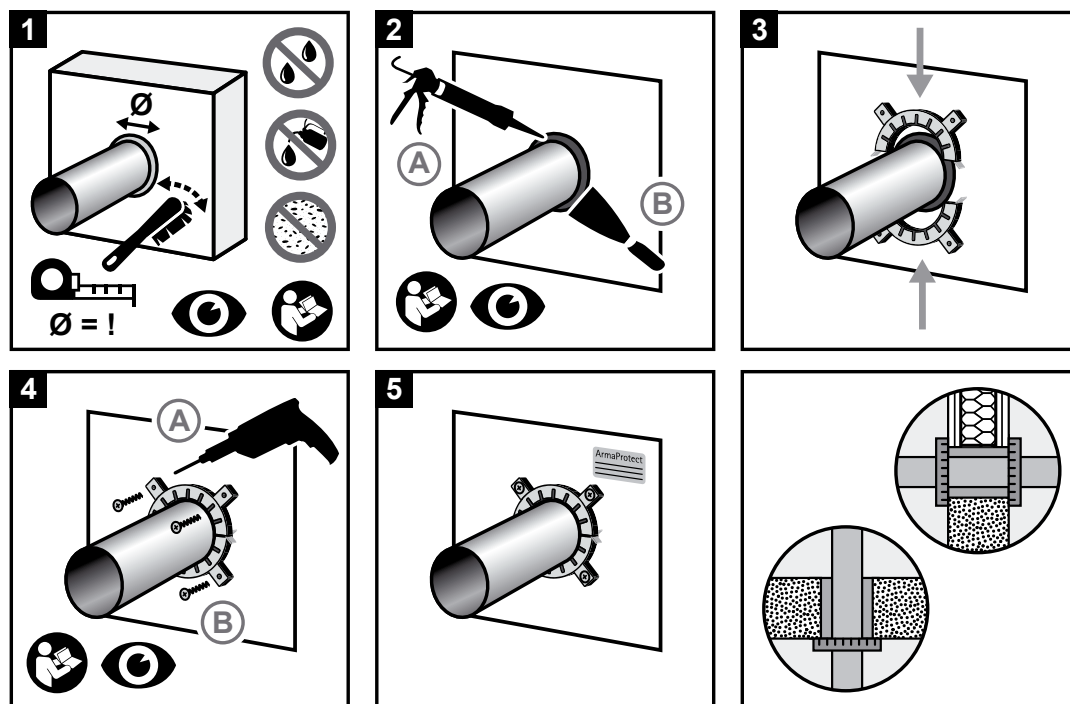
www.armacell.com



 **armacell**[®]
ArmaProtect[™]

INSTRUCTIONS FOR USE

Ensure that surfaces are dry and free of dust and grease.



// Consumption guide

Choose ArmaProtect FC1 Firestop collar based on the pipe diameter.

Standard pipe application:

- 2 firestop collars for wall penetration (installation of firestop collar from both sides)
- 1 firestop collars for floor penetration (installation of firestop collar on the bottom side of the floor)

| Collar size (Ø) [mm] | D2 (Internal Ø) [mm] | D1 (External Ø) [mm] | H1 (Installation height) [mm] | Number of hooks |
|-------------------------|-------------------------|-------------------------|----------------------------------|-----------------|
| 50 | 52 | 61.2 | 42.5 | 2 |
| 63 | 65 | 78.2 | 42.5 | 3 |
| 75 | 77 | 90.2 | 42.5 | 3 |
| 90 | 92 | 109.2 | 42.5 | 3 |
| 110 | 112 | 129.2 | 42.5 | 3 |
| 125 | 127 | 148.2 | 42.5 | 4 |
| 140 | 142 | 167.2 | 42.5 | 4 |
| 160 | 162 | 187.2 | 42.5 | 4 |



MAIN APPLICATIONS ACC. ETA-21/1024

In drywalls and solid walls¹

| | |
|--|---|
| Base material | Drywall, concrete wall, aerated concrete wall, masonry wall |
| Base material thickness | ≥ 100 mm |
| Maximum pipe diameter | up to 160 mm pipe diameter |
| Penetrants | up to EI 120-U/C ¹ |
| <ul style="list-style-type: none"> Combustible pipe without insulation (≤ 160 mm)¹ | |

¹ See ETA 21/1024 for further installation details.



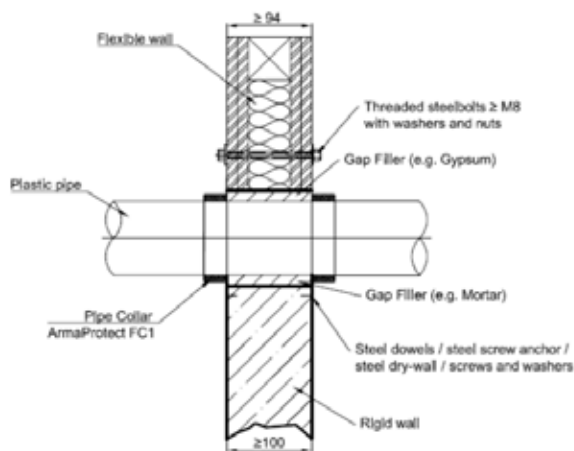
Concrete floors¹

| | |
|--|-------------------------------|
| Base material | Concrete floors |
| Base material thickness | ≥ 150 mm (wall) |
| Maximum pipe diameter | up to 160 mm pipe diameter |
| Penetrants | up to EI 240-U/C ¹ |
| <ul style="list-style-type: none"> Combustible pipe without insulation (≤ 160 mm)¹ | |

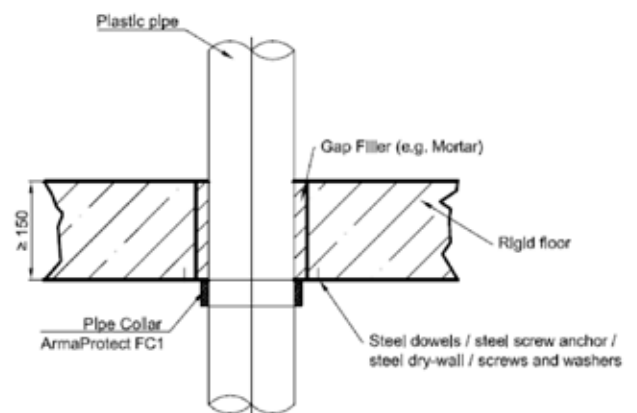
¹ See ETA 21/1024 for further installation details.

// Typical ETA approved systems¹

Wall application



Floor application



¹ See ETA 21/1024 for further installation details.

TECHNICAL DATA - ARMAPROTECT FC1 FIRESTOP COLLAR

| | |
|----------------------------------|--|
| Brief description | ArmaProtect FC1 is a solid metal sleeve equipped with several layers of intumescent material to maintain the fire resistance performance of fire penetrations in walls and floors. |
| Material type | Galvanized sheet steel housing with flexible intumescent strip. |
| Product colour range | Housing is silver grey and inlay is anthracite. |
| Special features | Easy visual inspection. |
| Product range | 50mm to 160mm diameter. |
| Applications | Firestop collar for sealing combustible pipes without insulation. |
| Installation | For professional use only. Refer to third party published listings, national approvals / assessments and Armacell's product literature for specific application details as well as before handling this product. |
| Declaration of Performance (DoP) | ArmaProtect FC1 |

Approvals and compliance

| | |
|--------------------------|---|
| Specification compliance | <ul style="list-style-type: none"> ETA 21 /1024 acc. EN 1366-3 |
|--------------------------|---|

| Property | Value/Assessment | Standard/Test method |
|--|--|----------------------|
| Temperature range | | |
| Operating temperature | -40°C to 70°C (40°F to 158°F) | |
| Application temperature | 5°C to 25°C (41°F to 77°F) | |
| Storage and transportation temperature | 5°C to 25°C (41°F to 77°F) | |
| Mechanical properties | | |
| Weight loss on heating | Inlay: 52 - 62% (at 550°C, 30 minutes) | EN 13501-1 |
| Density | Inlay: 1.02 - 1.42 g/cm ³ (thickness 2 mm) | ETA 21/1024 |
| Expansion ratio | Inlay: 12 - 22.5 times | ETA 21/1024 |
| Expansion pressure | Inlay: > 0.6 N/mm ² | ETA 21/1024 |
| Fire performance | | |
| Reaction to fire | Housing: Class A1 Inlay: Class E | EN 13501-1 |
| Resistance to fire | See Annex | |
| Health and environment | | |
| Emission of dangerous substances | No dangerous substances. | ETAG 026-02 |
| Other technical features | | |
| Durability and serviceability | Use category type Y ₁ | EOTA TR 024 |
| Safety information | Please refer to the safety data sheet available on our website. | |
| Storage | Store in a cool and dry place with an ambient temperature of 5 °C to 25 °C and protect from frost. | |

Firestop collar

| Item | Description | Content |
|-------------|--|----------------|
| PRO-FC1-050 | ArmaProtect FC1 Firestop collar Ø 50 mm | 1 piece(s) |
| PRO-FC1-063 | ArmaProtect FC1 Firestop collar Ø 63 mm | 1 piece(s) |
| PRO-FC1-075 | ArmaProtect FC1 Firestop collar Ø 75 mm | 1 piece(s) |
| PRO-FC1-090 | ArmaProtect FC1 Firestop collar Ø 90 mm | 1 piece(s) |
| PRO-FC1-110 | ArmaProtect FC1 Firestop collar Ø 110 mm | 1 piece(s) |
| PRO-FC1-125 | ArmaProtect FC1 Firestop collar Ø 125 mm | 1 piece(s) |
| PRO-FC1-140 | ArmaProtect FC1 Firestop collar Ø 140 mm | 1 piece(s) |
| PRO-FC1-160 | ArmaProtect FC1 Firestop collar Ø 160 mm | 1 piece(s) |

Firestop identification plate

| Item | Description | Content |
|-------------|---|----------------|
| PRO-ID-SET | ArmaProtect ID identification plate set | 5 pieces |

All data and technical information are based on results achieved under the specific conditions defined according to the testing standards referenced. Despite taking every precaution to ensure that said data and technical information are up to date, Armacell does not make any representation or warranty, express or implied, as to the accuracy, content or completeness of said data and technical information. Armacell also does not assume any liability towards any person resulting from the use of said data or technical information. Armacell reserves the right to revoke, modify or amend this document at any moment. It is the customer's responsibility to verify if the product is suitable for the intended application. The responsibility for professional and correct installation and compliance with relevant building regulations lies with the customer. This document does not constitute nor is part of a legal offer or contract. By ordering/receiving product you accept the Armacell General Terms and Conditions of Sale applicable in the region.

At Armacell, your trust means everything to us, so we want to let you know your rights and make it easier for you to understand what information we collect and why we collect it. If you would like to find out about our processing of data, please visit our Data Protection Policy.

© Armacell, 2022. All rights reserved. Trademarks followed by ® or ™ are trademarks of the Armacell Group.

00582 | ArmaProtect FC1 | ArmaProtect | PDS | 022022 | en-WW

ABOUT ARMACELL

As the inventors of flexible foam for equipment insulation and a leading provider of engineered foams, Armacell develops innovative and safe thermal, acoustic and mechanical solutions that create sustainable value for its customers. Armacell's products significantly contribute to global energy efficiency making a difference around the world every day. With more than 3,000 employees and 24 production plants in 16 countries, the company operates two main businesses, Advanced Insulation and Engineered Foams. Armacell focuses on insulation materials for technical equipment, high-performance foams for high-tech and lightweight applications and next generation aerogel blanket technology.



For more information, please visit:
www.armacell.com