



FOR PIPE PENETRATIONS UP
TO LARGE DIAMETERS

ArmaProtect FW2 Firestop wrap

Firestop wrap for fire seals in walls and floors

- // Non-combustible pipes up to \varnothing 323.9mm with combustible insulation
- // Composite pipes
- // Conduits and conduit bundles

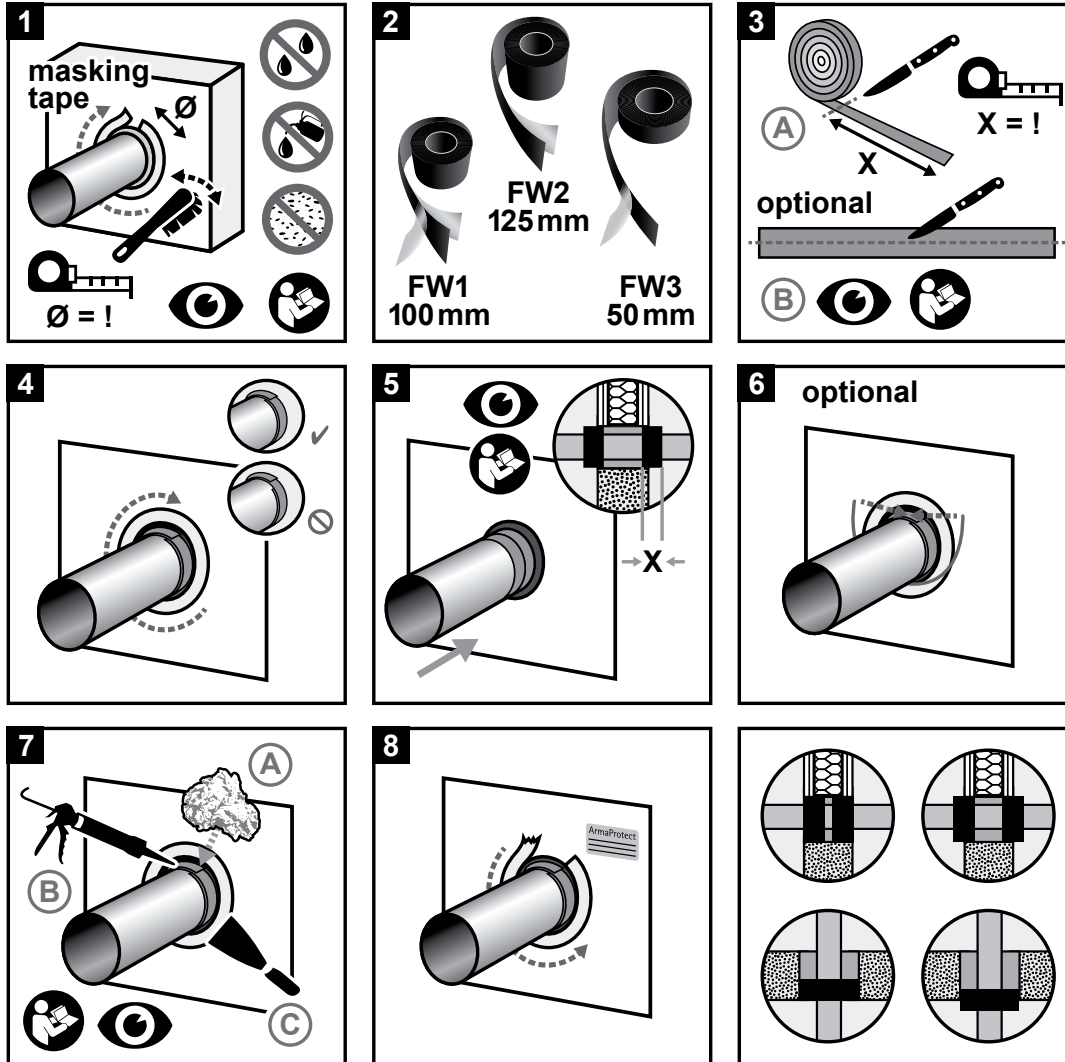
www.armacell.com



 **armacell**[®]
ArmaProtect[™]

INSTRUCTIONS FOR USE

Ensure that surfaces are dry and free of dust and grease.



// Consumption guide

Check consumption of ArmaProtect Firestop Wrap FW2 based on the pipe diameter and number of layers required. The table below provides an estimation for one layer of wrap based on the outside diameter of the pipe, conduit or conduit bundle. To avoid wastage, review the number of layers required and the potential need of overlapping the firestop wrap according to third party published listings or national approvals / assessments before cutting.

Diameter of pipe / conduit / conduit bundle [mm]	Approximate length for one layer of firestop wrap [mm]
32	110
40	140
50	170
63	215
75	255
90	310
110	370
125	425
140	480
160	550

MAIN APPLICATIONS ACC. ETA-21/1026

In drywalls, solid walls and concrete floors¹

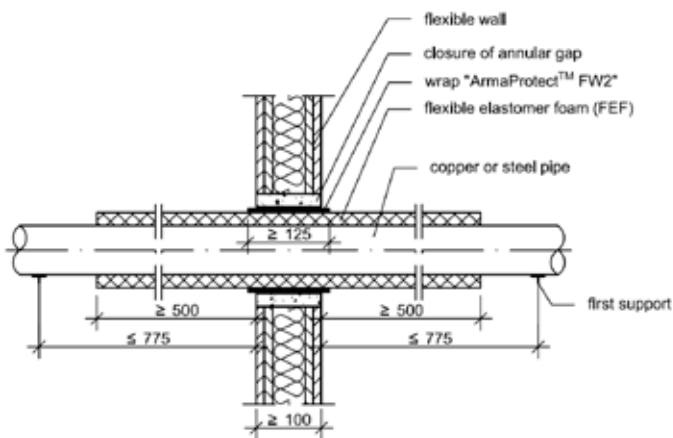
Base material	Drywall, concrete wall, aerated concrete wall, masonry wall, shaft wall, concrete floor
Base material thickness	≥ 100 mm (wall) ≥ 150 mm (floor)
Seal thickness	≥ 100 mm (wall) ≥ 150 mm (floor)
Penetrants	
Non-combustible pipe with insulation	up to EI 120-C/U ¹
<ul style="list-style-type: none"> Steel pipes ≤ 323.9 mm Copper pipes ≤ 108.0 mm 	

¹ See ETA 21/1026 for further installation details.

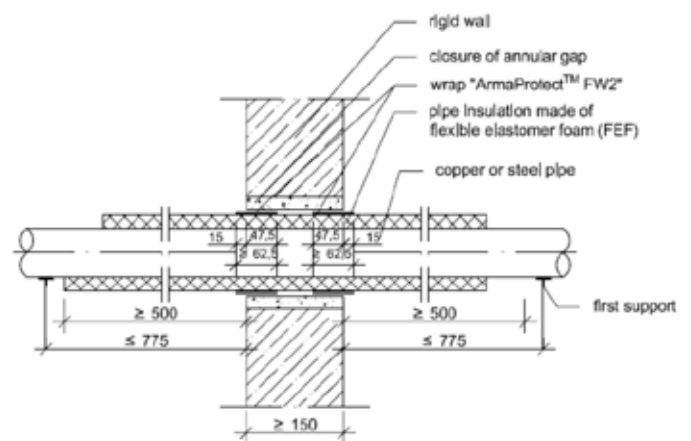


// Typical ETA approved systems¹

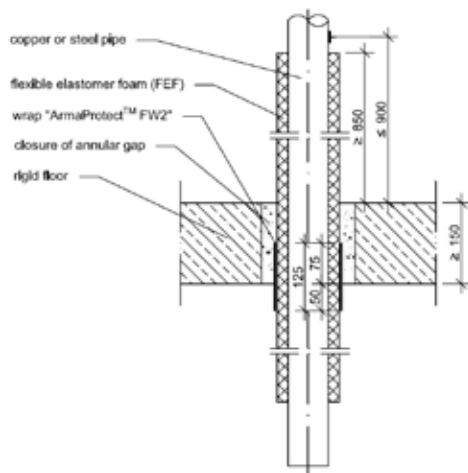
Wall application (drywall)



Wall application (solid wall)



Floor application



¹ See ETA 21/1026 for further installation details.

UL APPROVED SYSTEMS

// Typical UL approved systems¹

Penetrants

• PE-HD conduit bundles	≤ Ø 100 mm (conduits Ø ≤ 32 mm)
• PE-HD conduits with speed pipe bundles	≤ Ø 50 mm
• PE/AL/PE composite pipe	≤ Ø 63 mm
• Copper pipes	≤ Ø 159 mm
• Clima split bundles	
• Mixed penetration seals	

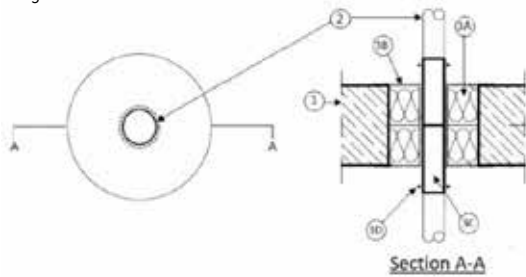
¹See relevant UL system for further installation details.

// Selected exemplary UL approved systems

System No. C-AJ-2927 (composite pipe in floor opening)

ANSI/UL 1479 (ASTM E814)

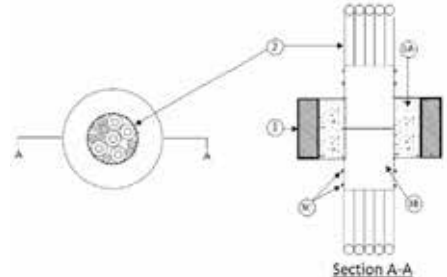
- F rating - 3 hours
- T rating - 3 hours



System No. F-A-8061 (PE-HD bundle pipe bundle in floor opening)

ANSI/UL 1479 (ASTM E814)

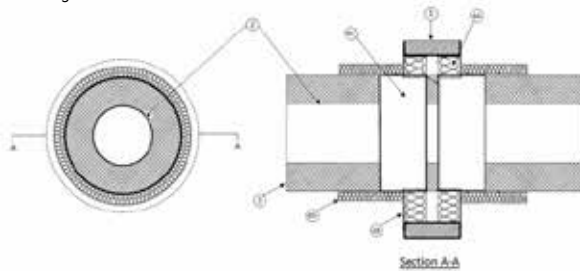
- F rating - 3 hours
- T rating - 2 hours



System No. W-J-5210 (copper pipes in floor opening)

ANSI/UL 1479 (ASTM E814)

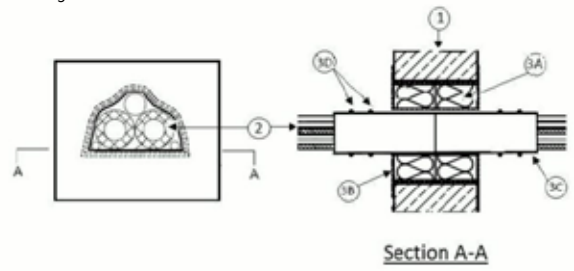
- F rating - 3 hours
- T rating - 0 hours



System No. W-J-8092 (clima split bundle in floor opening)

ANSI/UL 1479 (ASTM E814)

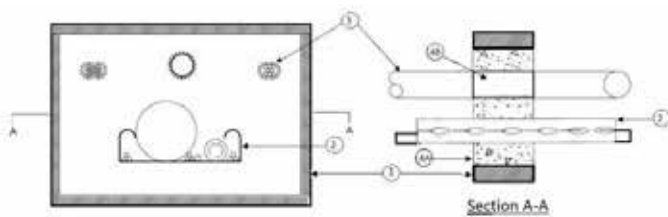
- F rating - 3 hours
- T rating - 1/2 hours



System No. W-J-8093 (mixed penetration seal in wall opening)

ANSI/UL 1479 (ASTM E814)

- F rating - 3 hours
- T rating - 1 hour



TECHNICAL DATA - ARMAPROTECT FW2 FIRESTOP WRAP

Brief description	ArmaProtect FW2 is a fabric-based firestop wrap that helps to maintain the fire resistance performance of fire penetrations in walls and floors.
Material type	Glass filament fabric composite with insulation layer forming coating on the inside.
Product colour range	Grey on the outside, anthracite on the inside.
Special features	Flexible and tear-resistant.
Product range	Firestop wrap roll with dimensions of 10m x 125mm x 1.5mm in a cardboard box.
Applications	Firestop wrap for fire seals in walls and floors for non-combustible pipes with combustible insulation, multi-layer composite pipes, conduits and conduit bundles.
Installation	For professional use only. Refer to third party published listings, national approvals / assessments and Armacell's product literature for specific application details as well as before handling this product.
Declaration of Performance (DoP)	ArmaProtect FW2

Approvals and compliance

Specification compliance	<ul style="list-style-type: none"> ETA-21/1026 acc. EN 1366-3 UL 1479 (ASTM E814)
--------------------------	---

Property	Value/Assessment	Standard/Test method
Temperature range		
Operating temperature	-40°C to 70°C (-40°F to 158°F)	
Application temperature	5°C to 25°C (41°F to 77°F)	
Storage and transportation temperature	5°C to 25°C (41°F to 77°F)	
Mechanical properties		
Weight per unit area	2.0 g/m ²	
Fire performance		
Reaction to fire	Class B-s1,d0	EN 13501-1
Resistance to fire	See Annex	
Health and environment		
Emission of dangerous substances	No dangerous substances.	ETAG 026-02
Other technical features		
Durability and serviceability	Use category type X.	EOTA TR 024
Safety information	Please refer to the safety data sheet available on our website.	
Shelf life	No shelf life	
Storage	Store in a cool and dry place with an ambient temperature of 5 °C to 25 °C and protect from frost.	

Firestop wrap

Item	Description	Content
PRO-FW2-10m	ArmaProtect FW2 Firestop wrap	10m

Firestop filler mastic

Item	Description	Content
PRO-ABLF-12.5kg	ArmaProtect ABLF Firestop filler mastic (white) packed in a pail.	12.5 kg
PRO-ABLF-15kg	ArmaProtect ABLF Firestop filler mastic (white) packed in a pail.	15 kg
PRO-ABLF-310ml	ArmaProtect ABLF Firestop filler mastic (white) packed in a cartridge.	310 ml

Firestop mortar

Item	Description	Content
PRO-CM-20kg	ArmaProtect CM Firestop mortar (grey) packed in a bag.	20 kg

Firestop identification plate.

Item	Description	Content
PRO-ID-SET	ArmaProtect ID identification plate set	5 pieces

All data and technical information are based on results achieved under the specific conditions defined according to the testing standards referenced. Despite taking every precaution to ensure that said data and technical information are up to date, Armacell does not make any representation or warranty, express or implied, as to the accuracy, content or completeness of said data and technical information. Armacell also does not assume any liability towards any person resulting from the use of said data or technical information. Armacell reserves the right to revoke, modify or amend this document at any moment. It is the customer's responsibility to verify if the product is suitable for the intended application. The responsibility for professional and correct installation and compliance with relevant building regulations lies with the customer. This document does not constitute nor is part of a legal offer or contract. By ordering/receiving product you accept the Armacell General Terms and Conditions of Sale applicable in the region.

At Armacell, your trust means everything to us, so we want to let you know your rights and make it easier for you to understand what information we collect and why we collect it. If you would like to find out about our processing of data, please visit our Data Protection Policy.

© Armacell, 2022. All rights reserved. Trademarks followed by ® or ™ are trademarks of the Armacell Group.

00585 | ArmaProtect FW2 | ArmaProtect | PDS | 022022 | en-WW

ABOUT ARMACELL

As the inventors of flexible foam for equipment insulation and a leading provider of engineered foams, Armacell develops innovative and safe thermal, acoustic and mechanical solutions that create sustainable value for its customers. Armacell's products significantly contribute to global energy efficiency making a difference around the world every day. With more than 3,000 employees and 24 production plants in 16 countries, the company operates two main businesses, Advanced Insulation and Engineered Foams. Armacell focuses on insulation materials for technical equipment, high-performance foams for high-tech and lightweight applications and next generation aerogel blanket technology.



For more information, please visit:
www.armacell.com