



FOR STRUCTURAL JOINTS &
SEALING CONNECTIONS

ArmaProtect ACRS

Firestop sealant

Flexible acrylic firestop sealant
for walls and floors

- // Structural joints in indoor and outdoor areas
- // For sealing connections and joints with moderate expansion stress and without constant exposure to moisture

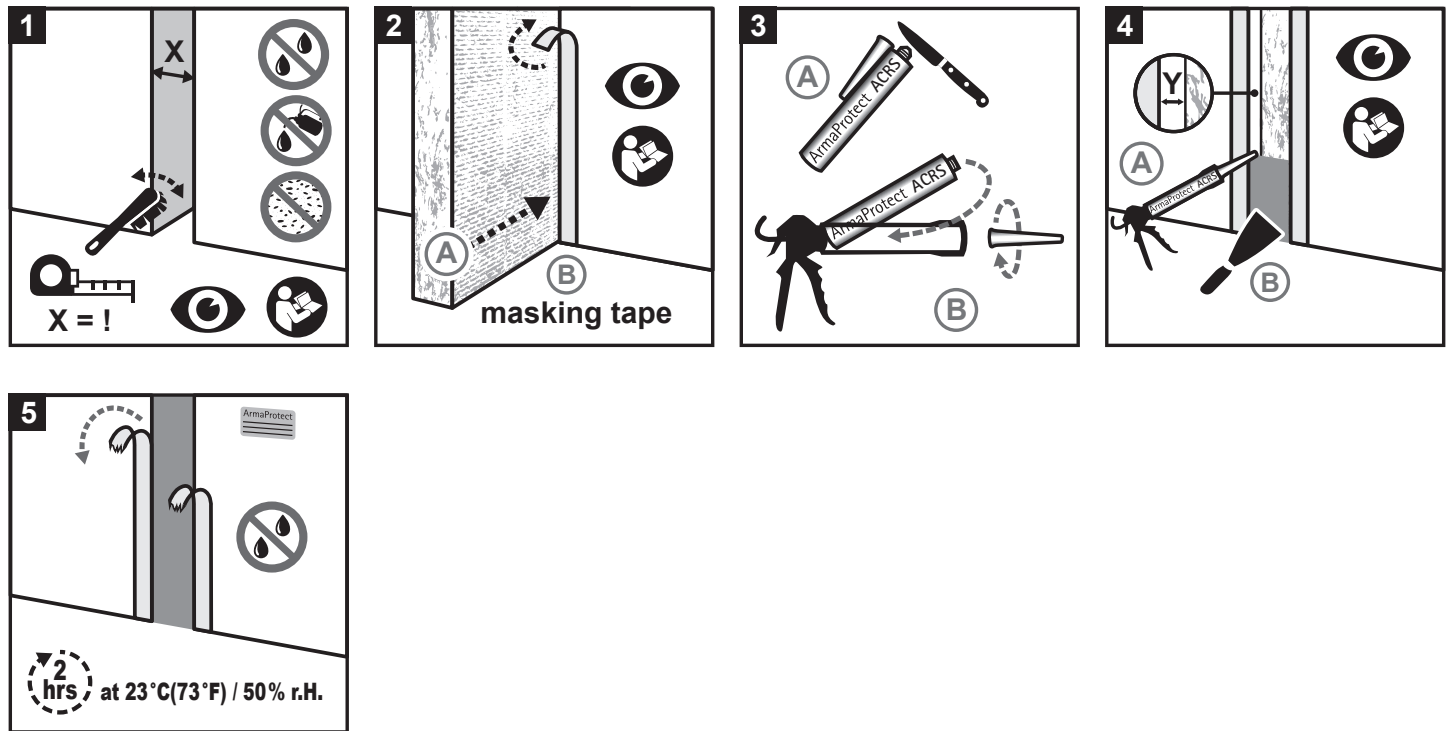
www.armacell.com



 **armacell**[®]
ArmaProtect[™]

INSTRUCTIONS FOR USE

Ensure that surfaces are dry and free of dust and grease.



// Consumption guide

Joint dimensioning of 5 mm x 5 mm

- approx. 12 linear meters with one 310 ml cartridge
- approx. 24 linear meters with one 600 ml cartridge

Joint dimensioning of 10 mm x 10 mm

- approx. 3 linear meters with one 310 ml cartridge
- approx. 6 linear meters with one 600 ml cartridge

Take note of potential material loss during application at the job site.



UL APPROVED SYSTEMS

// Typical UL approved systems¹

Joints

- Wall joints for fire-rated gypsum board/ stud wall assembly
- Floor joints for fire-rated gypsum board/ stud wall assembly
- Head-of-wall joints for fire-rated gypsum board/ stud wall assembly
- Head-of-wall joints for fire-rated gypsum board/ stud wall assembly
- Bottom-of-wall joints for fire-rated gypsum board/ stud wall assembly

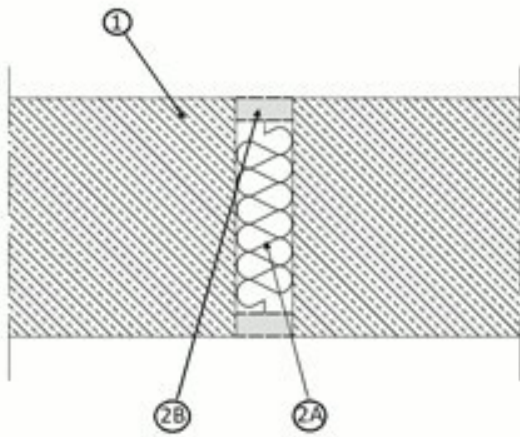
¹See relevant UL system for further installation details.

// Selected exemplary UL approved systems

System No. FF-S-0053 (floor joint)

ANSI/UL 2079

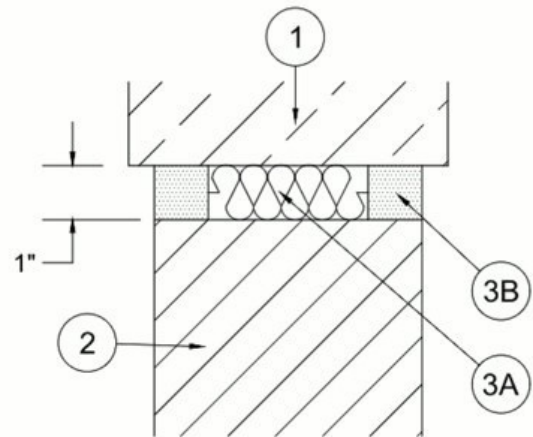
- F rating - 3 hours
- Joint width - maximum 1" (25 mm)



System No. HW-S-0152 (head-of-wall joint)

ANSI/UL 2079

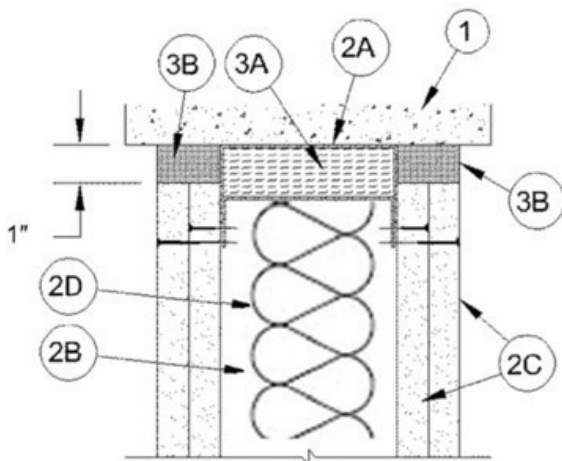
- F rating - 2 hours
- Joint width - maximum 1-1/5" (30 mm)



System No. HW-S-0153 (head-of-wall joint)

ANSI/UL 2079

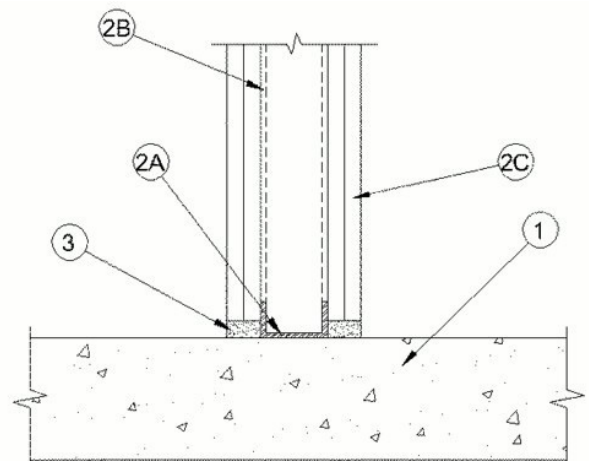
- F rating - 2 hours
- Joint width - maximum 1" (25 mm)



System No. BW-S-0061 (bottom-of-wall joint)

ANSI/UL 2079

- F rating - 1 and 2 hours
- Joint width - maximum 1" (25 mm)



TECHNICAL DATA - ARMAPROTECT ACRS FIRESTOP SEALANT

Brief description	ArmaProtect ACRS is an acrylic firestop sealant used to maintain the fire resistance performance of structural firestop joints in walls and floors and sealing connections.
Material type	Acrylic firestop sealant
Additional material information	Paste-like consistency
Product colour range	Light grey
Special features	For indoor and outdoor use.
Product range	ArmaProtect ACRS firestop sealant is available as 310 ml cartridge and 600 ml foil cartridge.
Applications	Flexible acrylic firestop sealant for structural joints in walls and floors in indoor and outdoor areas. For sealing connections and joints with moderate expansion stress and without constant exposure to moisture.
Installation	For industrial use only. Refer to third party published listings, national approvals / assessments and Armacell's product literature for specific application details as well as before handling this product.

Approvals and compliance

Specification compliance	<ul style="list-style-type: none"> UL acc. UL 2079 (ASTM E1966)
--------------------------	--

Property	Value/Assessment	Standard/Test method
Temperature range		
Operating temperature	-25 °C to 80 °C (-13 °F to 176 °F)	
Application temperature	5 °C to 25 °C (41 °F to 77 °F)	
Storage and transportation temperature	5 °C to 25 °C (41 °F to 77 °F)	
Mechanical properties		
Hardness (Shore A)	15 ± 5 units	
Bulk density	1.56 g/cm ³ ± 0.04 %	
Stability	≤ 2 mm	DIN EN ISO 7390
Mass loss	maximum of 15 %	ISO 10563
Skin formation	approximately 10 min (at 23 °C / 5% relative humidity)	
Motion absorption	approximately 7.5 %	
Fire performance		
Reaction to fire	Class E	EN 15651-1
Health and environment		
Emission of dangerous substances	No dangerous substances.	
Other technical features		
Durability	Passed	ISO 8339, ISO 9046, ISO 105961
Overpaintable (emulsion paints)	Passed	EN 13300
Safety information	Please refer to the safety datasheet available on our website.	
Shelf life	Can be kept for at least 18 months if unopened and stored properly.	
Storage	Store in a cool and dry place with an ambient temperature of 5 °C to 25 °C and protect from frost.	

Firestop sealant. Colour: Grey

Item	Description	Content
PRO-ACRS-310ml-gy	ArmaProtect ACRS Firestop sealant 310 ml cartridge	15 pieces
PRO-ACRS-600ml-gy	ArmaProtect ACRS Firestop sealant 600 ml cartridge	20 pieces

Firestop identification plate

Item	Description	Content
PRO-ID-SET	ArmaProtect ID identification plate set	5 pieces

All data and technical information are based on results achieved under the specific conditions defined according to the testing standards referenced. Despite taking every precaution to ensure that said data and technical information are up to date, Armacell does not make any representation or warranty, express or implied, as to the accuracy, content or completeness of said data and technical information. Armacell also does not assume any liability towards any person resulting from the use of said data or technical information. Armacell reserves the right to revoke, modify or amend this document at any moment. It is the customer's responsibility to verify if the product is suitable for the intended application. The responsibility for professional and correct installation and compliance with relevant building regulations lies with the customer. This document does not constitute nor is part of a legal offer or contract. By ordering/receiving product you accept the Armacell General Terms and Conditions of Sale applicable in the region.

At Armacell, your trust means everything to us, so we want to let you know your rights and make it easier for you to understand what information we collect and why we collect it. If you would like to find out about our processing of data, please visit our Data Protection Policy.

© Armacell, 2022. All rights reserved. Trademarks followed by ® or ™ are trademarks of the Armacell Group.

00575 | ArmaProtect ACRS | ArmaProtect | PDS | 022022 | en-WW

ABOUT ARMACELL

As the inventors of flexible foam for equipment insulation and a leading provider of engineered foams, Armacell develops innovative and safe thermal, acoustic and mechanical solutions that create sustainable value for its customers. Armacell's products significantly contribute to global energy efficiency making a difference around the world every day. With more than 3,000 employees and 24 production plants in 16 countries, the company operates two main businesses, Advanced Insulation and Engineered Foams. Armacell focuses on insulation materials for technical equipment, high-performance foams for high-tech and lightweight applications and next generation aerogel blanket technology.



For more information, please visit:
www.armacell.com