



FOR FIRESTOP PIPES UP TO  
LARGE DIAMETERS

# ArmaProtect FC2 Firestop collar

Firestop collar for fire seals in walls and floors

// For sealing of combustible pipes without insulation up to 400 mm diameter

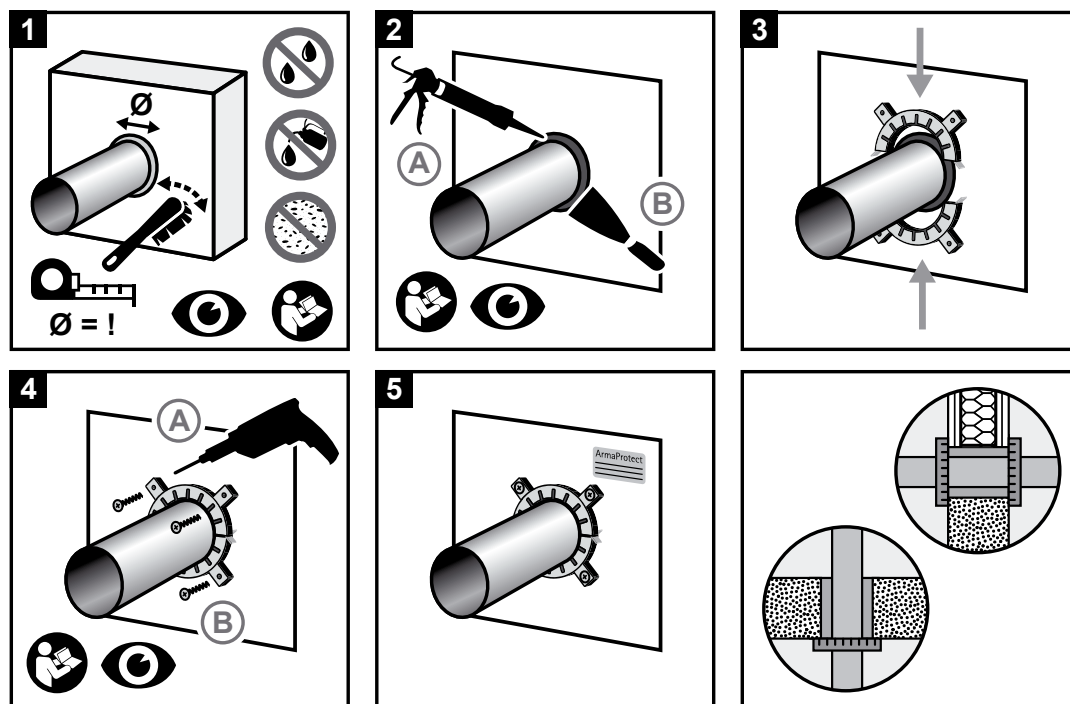
[www.armacell.com](http://www.armacell.com)



 **armacell**<sup>®</sup>  
ArmaProtect<sup>™</sup>

# INSTRUCTIONS FOR USE

Ensure that surfaces are dry and free of dust and grease.



## // Consumption guide

Choose ArmaProtect FC2 Firestop collar based on the pipe diameter.

Standard pipe application:

- 2 firestop collars for wall penetration (installation of firestop collar from both sides)
- 1 firestop collar for floor penetration (installation of firestop collar on the bottom side of the floor)



Collar size (Ø) [mm]	D2 (Internal Ø) [mm]	D1 (External Ø) [mm]	H1 (Installation height) [mm]	Number of hooks
32	36	50	26.0	2
40	44	58	26.0	2
50	54	68	26.0	2
63	67	94	26.0	4
75	79	106	26.0	4
90	94	132	26.0	4
110	114	155	26.0	4

Collar size (Ø) [mm]	D2 (Internal Ø) [mm]	D1 (External Ø) [mm]	H1 (Installation height) [mm]	Number of hooks
125	129	172	26.0	4
140	144	200	40.0	6
160	164	220	40.0	6
180	184	264	40.0	8
200	204	284	40.0	8
225	239	328	51.5	10
250	264	353	51.5	10
280	289	378	51.5	12
300	314	403	51.5	12
315	328	417	51.5	12
355	370	459	51.5	12
400	415	504	51.5	12

# MAIN APPLICATIONS ACC. ETA-22/0060

## In drywalls and solid walls<sup>1</sup>

Base material	Drywall, concrete wall, aerated concrete wall, masonry wall
Base material thickness	≥ 100 mm
Maximum pipe diameter	up to 400 mm pipe diameter
Penetrants	up to EI 120-U/U <sup>1</sup>
<ul style="list-style-type: none"> <li>Combustible pipe without insulation (≤ 400 mm)<sup>1</sup></li> </ul>	

<sup>1</sup> See ETA 22/0060 for further installation details.

## Concrete floors<sup>1</sup>

Base material	Concrete floors
Base material thickness	≥ 150 mm (wall)
Maximum pipe diameter	up to 400 mm pipe diameter
Penetrants	up to EI 120-U/U <sup>1</sup>
<ul style="list-style-type: none"> <li>Combustible pipe without insulation (≤ 400 mm)<sup>1</sup></li> </ul>	

<sup>1</sup> See ETA 22/0060 for further installation details.



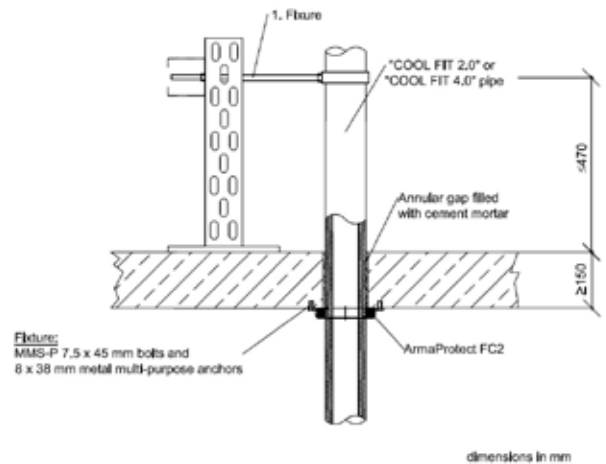
## // Typical ETA approved systems<sup>1</sup>

### Wall application



<sup>1</sup> See ETA 22/0060 for further installation details.

### Floor application



dimensions in mm

## TECHNICAL DATA - ARMAPROTECT FC2 FIRESTOP COLLAR

Brief description	ArmaProtect FC2 is a solid metal sleeve equipped with several layers of intumescent material to maintain the fire resistance performance of fire penetrations in walls and floors.
Material type	Powder-coated sheet steel housing (Ø up to 200mm) / galvanised sheet steel housing (Ø ≥ 225mm) with flexible intumescent strip.
Product colour range	Housing is grey and inlay is anthracite.
Special features	Easy visual inspection.
Product range	32mm to 400mm diameter.
Applications	Firestop collar for sealing combustible pipes without insulation.
Installation	For professional use only. Refer to third party published listings, national approvals / assessments and Armacell's product literature for specific application details as well as before handling this product.
Declaration of Performance (DoP)	ArmaProtect FC2

### Approvals and compliance

Specification compliance	<ul style="list-style-type: none"> <li>ETA 22/0060 acc. EN 1366-3</li> </ul>
--------------------------	--

Property	Value/Assessment	Standard/Test method
<b>Temperature range</b>		
Operating temperature	-40°C to 70°C (40°F to 158°F)	
Application temperature	5°C to 25°C (41°F to 77°F)	
Storage and transportation temperature	5°C to 30°C (41°F to 77°F)	
<b>Mechanical properties</b>		
Expansion ratio	Inlay: 18 to 38 times	ETA 22/0060
<b>Fire performance</b>		
Reaction to fire	Housing: Class A1 Inlay: Class E	EN 13501-1
Resistance to fire	See Annex	
<b>Health and environment</b>		
Emission of dangerous substances	No dangerous substances.	ETAG 026-02
<b>Other technical features</b>		
Durability and serviceability	Use category type X	EOTA TR 024
Safety information	Please refer to the safety data sheet available on our website.	
Storage	Store in a cool and dry place with an ambient temperature of 5 °C to 25 °C and protect from frost.	

**Firestop collar**

<b>Item</b>	<b>Description</b>	<b>Content</b>
PRO-FC2-032	ArmaProtect FC2 Firestop collar Ø 32 mm	1 piece(s)
PRO-FC2-040	ArmaProtect FC2 Firestop collar Ø 40 mm	1 piece(s)
PRO-FC2-050	ArmaProtect FC2 Firestop collar Ø 50 mm	1 piece(s)
PRO-FC2-063	ArmaProtect FC2 Firestop collar Ø 63 mm	1 piece(s)
PRO-FC2-075	ArmaProtect FC2 Firestop collar Ø 75 mm	1 piece(s)
PRO-FC2-090	ArmaProtect FC2 Firestop collar Ø 90 mm	1 piece(s)
PRO-FC2-110	ArmaProtect FC2 Firestop collar Ø 110 mm	1 piece(s)
PRO-FC2-125	ArmaProtect FC2 Firestop collar Ø 125 mm	1 piece(s)
PRO-FC2-140	ArmaProtect FC2 Firestop collar Ø 140 mm	1 piece(s)
PRO-FC2-160	ArmaProtect FC2 Firestop collar Ø 160 mm	1 piece(s)
PRO-FC2-180	ArmaProtect FC2 Firestop collar Ø 180 mm	1 piece(s)
PRO-FC2-200	ArmaProtect FC2 Firestop collar Ø 200 mm	1 piece(s)
PRO-FC2-225	ArmaProtect FC2 Firestop collar Ø 225 mm	1 piece(s)
PRO-FC2-250	ArmaProtect FC2 Firestop collar Ø 250 mm	1 piece(s)
PRO-FC2-280	ArmaProtect FC2 Firestop collar Ø 280 mm	1 piece(s)
PRO-FC2-300	ArmaProtect FC2 Firestop collar Ø 300 mm	1 piece(s)
PRO-FC2-315	ArmaProtect FC2 Firestop collar Ø 315 mm	1 piece(s)
PRO-FC2-355	ArmaProtect FC2 Firestop collar Ø 355 mm	1 piece(s)
PRO-FC2-400	ArmaProtect FC2 Firestop collar Ø 400 mm	1 piece(s)

**Firestop identification plate.**

<b>Item</b>	<b>Description</b>	<b>Content</b>
PRO-ID-SET	ArmaProtect ID identification plate set	5 pieces

All data and technical information are based on results achieved under the specific conditions defined according to the testing standards referenced. Despite taking every precaution to ensure that said data and technical information are up to date, Armacell does not make any representation or warranty, express or implied, as to the accuracy, content or completeness of said data and technical information. Armacell also does not assume any liability towards any person resulting from the use of said data or technical information. Armacell reserves the right to revoke, modify or amend this document at any moment. It is the customer's responsibility to verify if the product is suitable for the intended application. The responsibility for professional and correct installation and compliance with relevant building regulations lies with the customer. This document does not constitute nor is part of a legal offer or contract. By ordering/receiving product you accept the Armacell General Terms and Conditions of Sale applicable in the region.

At Armacell, your trust means everything to us, so we want to let you know your rights and make it easier for you to understand what information we collect and why we collect it. If you would like to find out about our processing of data, please visit our Data Protection Policy.

© Armacell, 2022. All rights reserved. Trademarks followed by ® or ™ are trademarks of the Armacell Group.

00583 | ArmaProtect FC2 | ArmaProtect | PDS | 022022 | en-WW

## ABOUT ARMACELL

---

As the inventors of flexible foam for equipment insulation and a leading provider of engineered foams, Armacell develops innovative and safe thermal, acoustic and mechanical solutions that create sustainable value for its customers. Armacell's products significantly contribute to global energy efficiency making a difference around the world every day. With more than 3,000 employees and 24 production plants in 16 countries, the company operates two main businesses, Advanced Insulation and Engineered Foams. Armacell focuses on insulation materials for technical equipment, high-performance foams for high-tech and lightweight applications and next generation aerogel blanket technology.



For more information, please visit:  
[www.armacell.com](http://www.armacell.com)