



FOR SMALL FIRESTOP
PENETRATIONS

ArmaProtect EXPS

Firestop sealant

Intumescent firestop sealant for
mixed fire seals in walls and floors

- // Blank openings
- // Cables and cable bundles
- // Conduit and conduit bundles
- // Non-combustible and combustible pipes

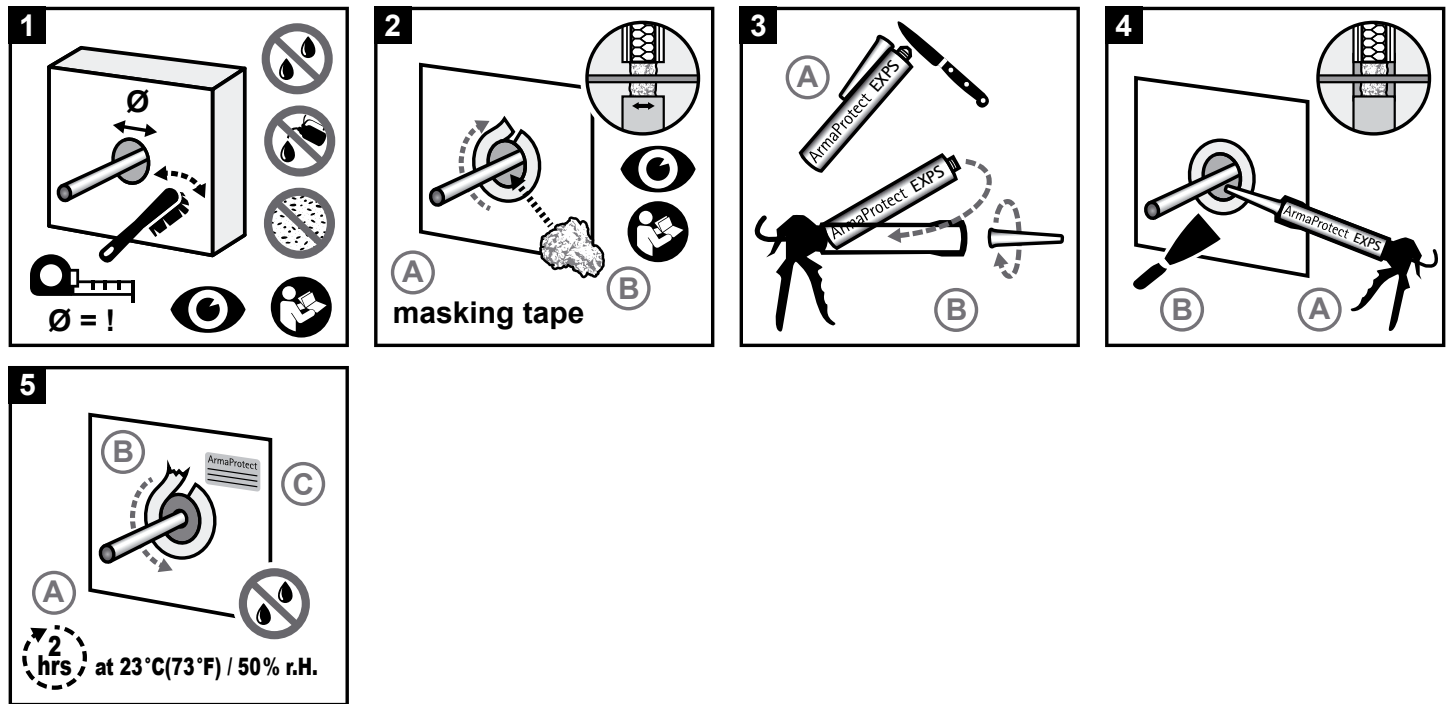
www.armacell.com



 **armacell**[®]
ArmaProtect[™]

INSTRUCTIONS FOR USE

Ensure that surfaces are dry and free of dust and grease.



// Consumption guide

Approximate consumption [ml]¹

Diameter of sealing size [mm]	0% services	30% services	60% services
50	98	69	39
100	393	275	157
150	883	618	353

¹Considering an installation depth of 25 mm on each side of the penetration.

Take note of potential material loss during application at the job site.



MAIN APPLICATIONS ACC. ETA-21/1025



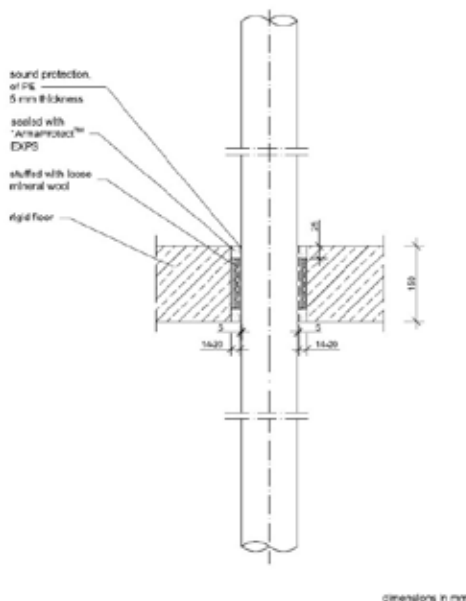
In drywalls, solid walls and concrete floors¹

Base material	Drywall, concrete wall, aerated concrete wall, masonry wall, concrete floor
Base material thickness	≥ 100 mm
Seal thickness	≥ 150 mm
Maximum seal size (wall)	Depends on medium, type of gland and closure material ¹ Blank opening: ≤ Ø 150 mm
Maximum seal size (floor)	Depends on medium, type of gland and closure material ¹ Blank opening: ≤ Ø 150 mm
Penetrants	up to EI 120 ¹
<ul style="list-style-type: none"> • Cables ≤ Ø 50 mm¹ • Cable bundles ≤ Ø 180 mm (with cables ≤ Ø 21 mm)¹ • Plastic conduits ≤ Ø 32 mm (with cables ≤ Ø 21 mm)¹ • Plastic conduit bundles ≤ Ø 100 mm (conduits ≤ Ø 32 mm, with cables ≤ Ø 21 mm)¹ • Non-combustible pipe without insulation (steel pipes ≤ Ø 48.3 mm, copper pipes ≤ Ø 22 mm)¹ • Combustible pipes ≤ Ø 110 mm¹ 	

¹ See ETA 21/1025 for further installation details.

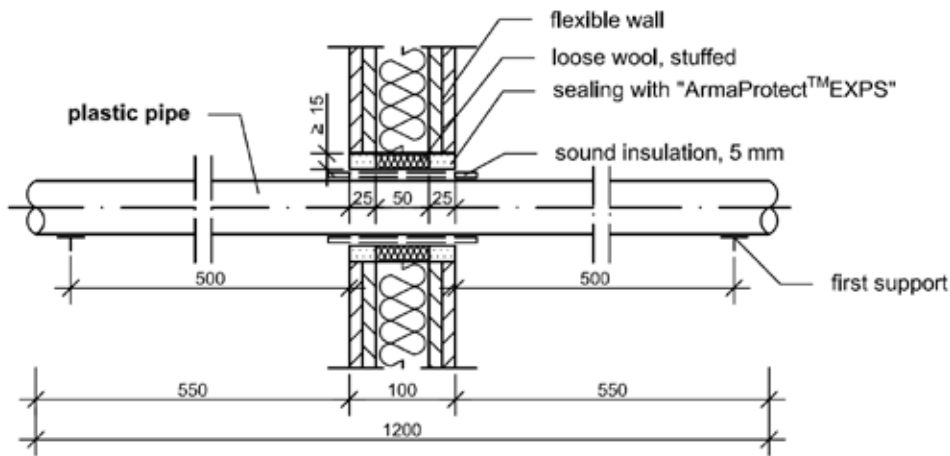
// Typical ETA approved systems¹

Floor application in rigid floor

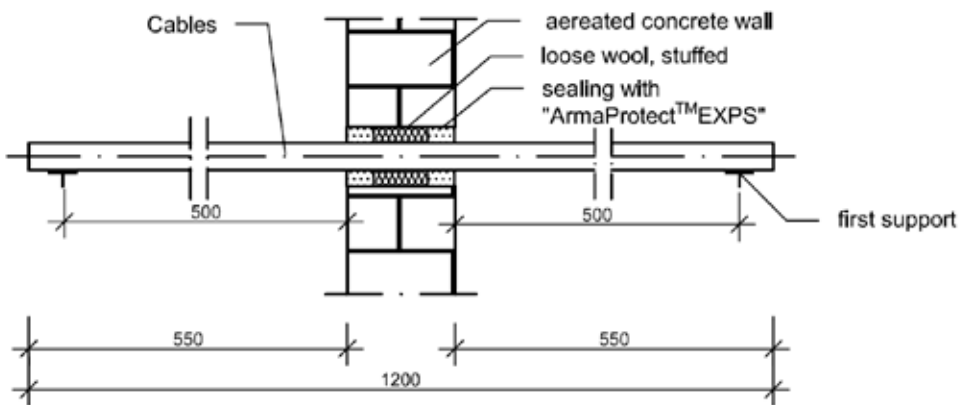


¹ See ETA 21/1025 for further installation details.

Wall application in dry wall



Wall application in rigid wall



TECHNICAL DATA - ARMAPROTECT EXPS FIRESTOP SEALANT

Brief description	ArmaProtect EXPS is an intumescent firestop sealant used to maintain the fire resistance performance of fire penetrations in walls and floors.
Material type	Intumescent firestop sealant
Additional material information	Paste-like consistency
Product colour range	Grey
Product range	Available as 310 ml cartridges and packed as 12 cartridges in a carton.
Applications	Firestop sealant for fire seals in walls and floors for blank openings, cables, cable bundles, non-combustible and combustible pipes.
Installation	For professional use only. Refer to third party published listings, national approvals / assessments and Armacell's product literature for specific application details as well as before handling this product.
Declaration of Performance (DoP)	ArmaProtect EXPS

Approvals and compliance

Specification compliance	<ul style="list-style-type: none"> ETA 21 /1025 acc. EN 1366-3
--------------------------	---

Property	Value/Assessment	Standard/Test method
Temperature range		
Operating temperature	-40°C to 70°C (40°F to 158°F)	
Application temperature	5°C to 25°C (41°F to 77°F)	
Storage and transportation temperature	5°C to 25°C (41°F to 77°F)	
Mechanical properties		
Density	1300 kg/m ³ ± 10%	
Foaming factor	15 - 26.5 fold	
Expansion pressure	1.0 - 1.9 N/mm ²	
Fire performance		
Reaction to fire	Class E	EN 13501-1
Resistance to fire	See Annex	
Health and environment		
Emission of dangerous substances	No dangerous substances.	ETAG 026-02
Other technical features		
Durability and serviceability	Use category type X	EOTA TR 024
Safety information	Please refer to the safety data sheet available on our website.	
Shelf life	Can be kept for at least 18 months unopened if stored properly.	
Storage	Store in a cool and dry place with an ambient temperature of 5 °C to 25 °C and protect from frost.	

Firestop sealant. Colour: Grey.

Item	Description	Content
PRO-EXPS-310ml-gy	ArmaProtect EXPS Firestop sealant 310 ml cartridge	12 pieces

Firestop identification plate

Item	Description	Content
PRO-ID-SET	ArmaProtect ID identification plate set	5 pieces

All data and technical information are based on results achieved under the specific conditions defined according to the testing standards referenced. Despite taking every precaution to ensure that said data and technical information are up to date, Armacell does not make any representation or warranty, express or implied, as to the accuracy, content or completeness of said data and technical information. Armacell also does not assume any liability towards any person resulting from the use of said data or technical information. Armacell reserves the right to revoke, modify or amend this document at any moment. It is the customer's responsibility to verify if the product is suitable for the intended application. The responsibility for professional and correct installation and compliance with relevant building regulations lies with the customer. This document does not constitute nor is part of a legal offer or contract. By ordering/receiving product you accept the Armacell General Terms and Conditions of Sale applicable in the region.

At Armacell, your trust means everything to us, so we want to let you know your rights and make it easier for you to understand what information we collect and why we collect it. If you would like to find out about our processing of data, please visit our Data Protection Policy.

© Armacell, 2022. All rights reserved. Trademarks followed by ® or ™ are trademarks of the Armacell Group.

00578 | ArmaProtect EXPS | ArmaProtect | PDS | 022022 | en-WW

ABOUT ARMACELL

As the inventors of flexible foam for equipment insulation and a leading provider of engineered foams, Armacell develops innovative and safe thermal, acoustic and mechanical solutions that create sustainable value for its customers. Armacell's products significantly contribute to global energy efficiency making a difference around the world every day. With more than 3,000 employees and 24 production plants in 16 countries, the company operates two main businesses, Advanced Insulation and Engineered Foams. Armacell focuses on insulation materials for technical equipment, high-performance foams for high-tech and lightweight applications and next generation aerogel blanket technology.



For more information, please visit:
www.armacell.com