



FOR SMALL FIRESTOP
PENETRATIONS

ArmaProtect CT

Firestop cable tube

Cable tube for fire seals in walls and floors

- // Blank openings
- // Cables and cable bundles
- // Conduit and conduit bundles
- // Combustible pipes
- // HVAC split-line combinations
- // Ideally for retrofitting applications

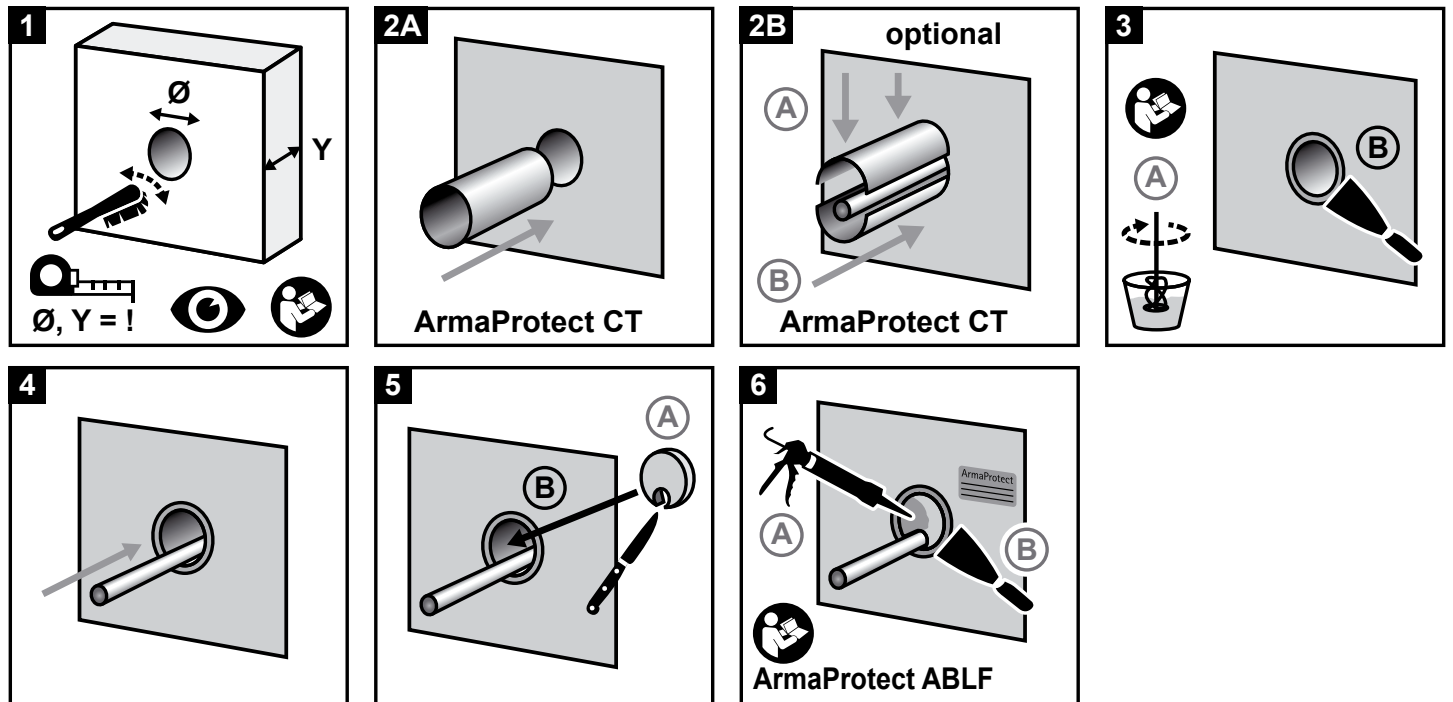
www.armacell.com



 **armacell**[®]
ArmaProtect[™]

INSTRUCTIONS FOR USE

Ensure that surfaces are dry and free of dust and grease.



MAIN APPLICATIONS

ACC. ETA-22/0062



in drywalls, solid walls and concrete floors¹

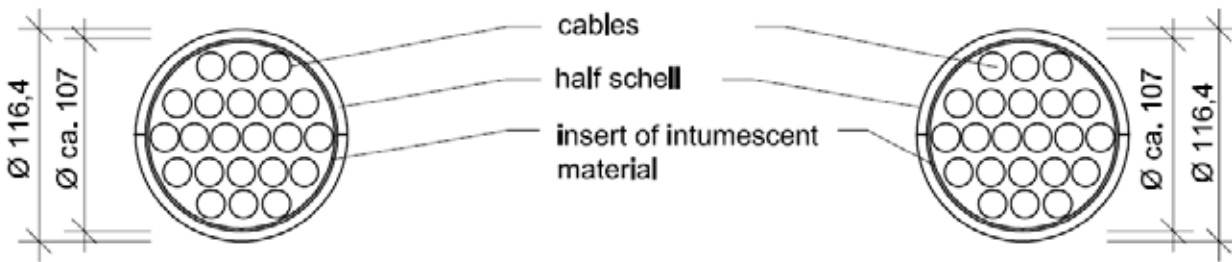
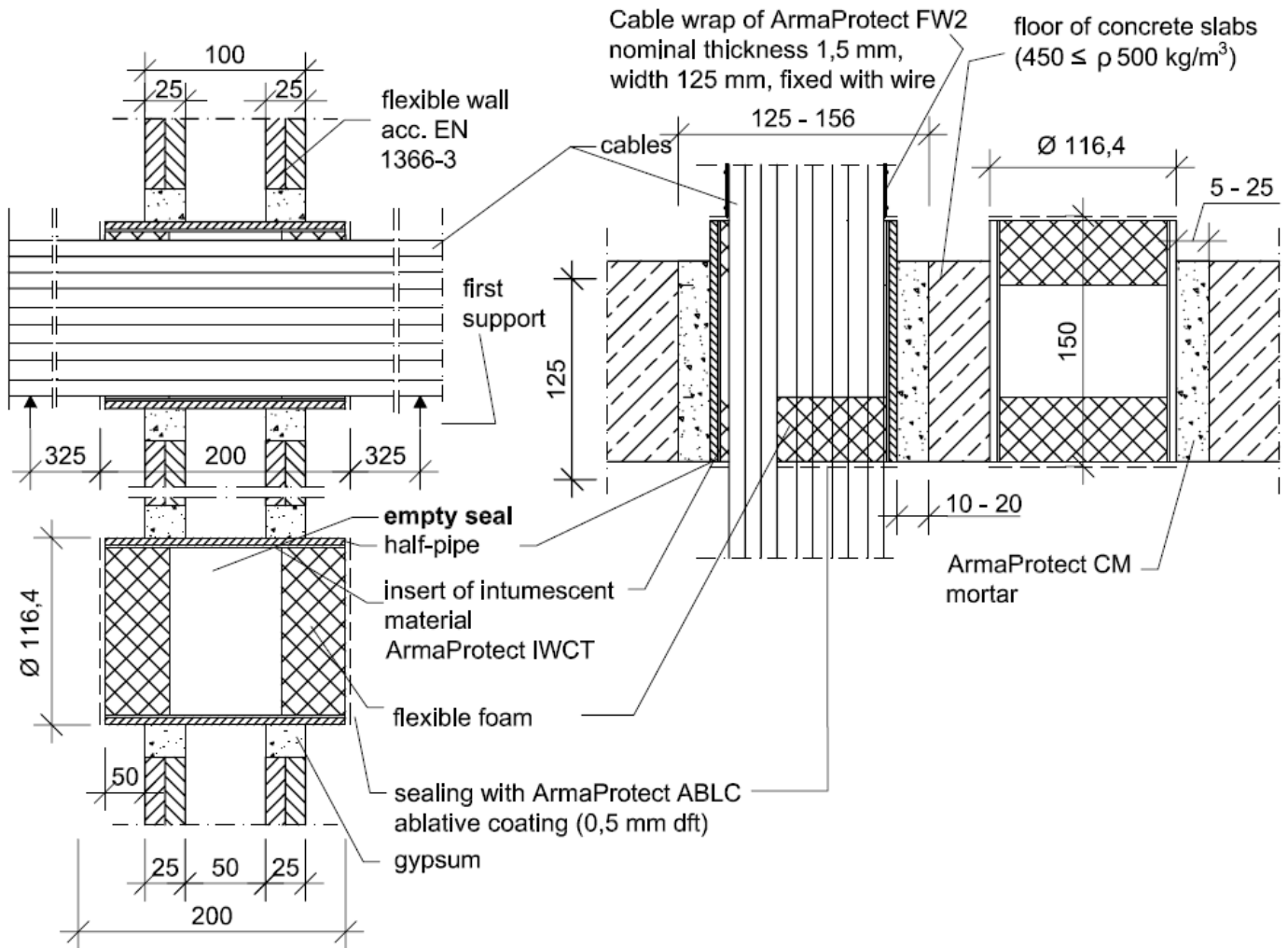
Base material	Drywall, concrete wall, aerated concrete wall, masonry wall, concrete floor
Base material thickness	≥ 100 mm (wall) ≥ 125 mm (floor)
Seal thickness	≥ 150 mm
Penetrants	up to EI 120 ¹
<ul style="list-style-type: none"> • Cables ≤ Ø 80 mm¹ • Cable bundles ≤ Ø 107 mm (with cables ≤ Ø 21 mm)¹ • Plastic conduits ≤ Ø 63 mm (with cables ≤ Ø 21 mm)¹ • Plastic conduits bundles ≤ Ø 107 mm (conduits ≤ Ø 32 mm, with cables ≤ Ø 21 mm)¹ • Wave guide cables ≤ Ø 28.5 mm¹ • PE lines "speed pipes" (24 x ≤ Ø 7.0 mm, 7 x ≤ Ø 10.0 mm, 5 x ≤ Ø 12.0 mm)¹ • Combustible pipes ≤ Ø 32 mm¹ • HVAC split-line-combinations¹ 	

¹ See ETA 22/0062 for further installation details.

// Typical ETA approved systems¹

Wall application

Floor application



Configuration wall construction:
 F-telecommunication cables, cablebundle Ø 100 mm
 100% configuration of telecommunication cables
 with PVC-insulation and copperwire
 Type J-Y (St)Y 80 x 2 x 0,6 LG grey; Ø appr. 21 mm

Configuration floor construction:
 F-telecommunication cables, cablebundle Ø 107 mm
 100% configuration of telecommunication cables
 20 x 2 x 0,6 mm
 Type A2-Y (L) 2Y St III BD, insulation PE / PE

¹ See ETA 22/0062 for further installation details.

UL APPROVED SYSTEMS

// Typical UL approved systems¹

Penetrants

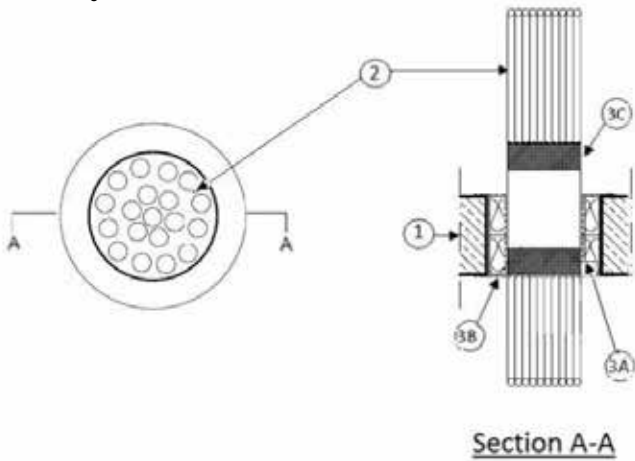
- | | |
|-------------------------|---------------------------------|
| • Cable bundles | ≤ Ø 137 mm (cables Ø ≤ 16.2 mm) |
| • PE-HD conduit bundles | ≤ Ø 100 mm (conduits Ø ≤ 32 mm) |
| • Steel pipes | ≤ Ø 89 mm |
| • Clima split bundles | |

¹See relevant UL system for further installation details.

// Selected exemplary UL approved systems

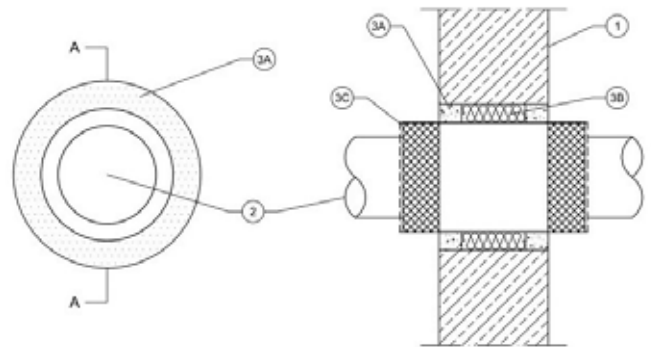
System No. F-A-3084 (cable bundle in floor opening)

- ANSI/UL 1479 (ASTM E814)
- F rating - 3 hours
 - T rating - 1/2 hour



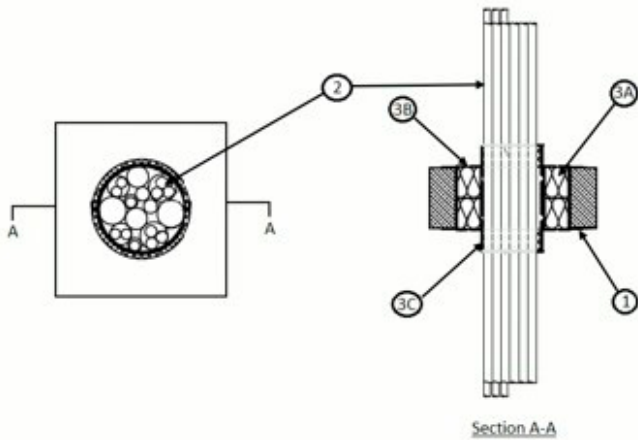
System No. W-J-1335 (steel pipe in wall opening)

- ANSI/UL 1479 (ASTM E814)
- F rating - 2 hours
 - T rating - 2 hours



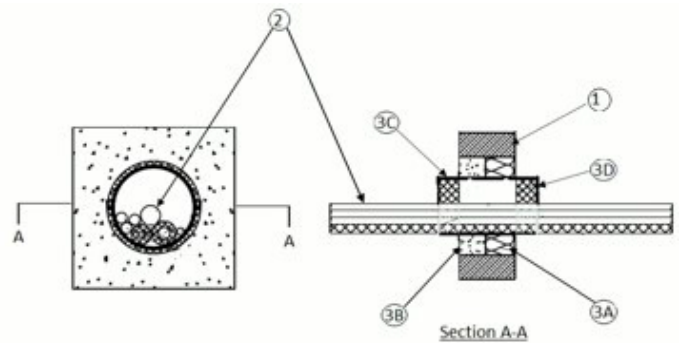
System No. C-AJ-2931 (PE-HD conduit bundle in floor opening)

- ANSI/UL 1479 (ASTM E814)
- F rating - 3 hours
 - T rating - 3 hours



System No. W-J-8099 (clima split bundle in wall opening)

- ANSI/UL 1479 (ASTM E814)
- F rating - 3 hours
 - T rating - 1½ hours



TECHNICAL DATA - ARMAPROTECT CT FIRESTOP CABLE TUBE

Brief description	ArmaProtect CT consists for two half shells with intumescent inlay and a soft foam plug. It is designed for use as small penetration seals in core drillings or as cast-in-solutions.
Material type	PVC cable tube half shells with intumescent fabric inlay. Closure are made of soft foam plugs.
Additional material information	Half-shells can be closed with a click lock.
Product colour range	Grey half shells with red inner lining.
Special features	Ideal as a retrofitting device.
Product range	Cable tubes including soft foam plugs are available in lengths of 150 mm (foam plug diameter: 60 mm, 90 mm and 116 mm), 200 mm (foam plug diameter: 90 mm and 116 mm) and 300 mm (foam plug diameter: 90 mm and 116 mm).
Applications	Firestop device for fire seals in walls and floors for blank openings, cables, cable bundles, combustible pipes and HVAC split-line combinations.
Installation	For professional use only. Refer to third party published listings, national approvals / assessments and Armacell's product literature for specific application details as well as before handling this product.
Declaration of Performance [DoP]	ArmaProtect CT

Approvals and compliance

Specification compliance	<ul style="list-style-type: none"> • ETA 22/0062 acc. EN 1366-3 • UL acc. UL 1979 (ASTM E814)
--------------------------	---

¹ This is the footnote list relevant to the Approvals and compliance table.

Property	Value/Assessment	Standard/Test method
Temperature range		
Operating temperature	-40°C to 70°C (-40°F to 158°F)	
Application temperature	5°C to 25°C (41°F to 77°F)	
Storage and transportation temperature	5°C to 25°C (41°F to 77°F)	
Fire performance		
Reaction to fire	Class E	EN 13501-1
Resistance to fire	See Annex	
Acoustic performance		
Sound reduction	64 (-2;-6) dB Dn, e; Dn, w (C; Ctr)	
Health and environment		
Emission of dangerous substances	No dangerous substances.	ETA 22/0062
Other technical features		
Durability and serviceability	Use category type X.	EN 13501-1
Safety information	Please refer to the safety data sheet available on our website.	
Shelf life	No shelf life.	
Storage	Store in a cool and dry place with an ambient temperature of 5 °C to 25 °C and protect from frost.	

Firestop cable tube and plug

Item	Description	Content
PRO-CT-C060	ArmaProtect CT Firestop Cable tube plug Ø 60 mm packed as a set of 10 soft plugs	1 set(s)
PRO-CT-C090	ArmaProtect CT Firestop Cable tube plug Ø 90 mm packed as a set of 10 soft plugs	1 set(s)
PRO-CT-C116	ArmaProtect CT Firestop Cable tube plug Ø 116 mm packed as a set of 10 soft plugs	1 set(s)
PRO-CT-L090	ArmaProtect CT Firestop Cable tube 300 mm / Ø 90 mm packed as 1 cable tube with 2 soft plugs	12 set(s)
PRO-CT-L116	ArmaProtect CT Firestop Cable tube 300 mm / Ø 116 mm packed as 1 cable tube with 2 soft plugs	6 set(s)
PRO-CT-M090	ArmaProtect CT Firestop Cable tube 200 mm / Ø 90 mm packed as 1 cable tube with 2 soft plugs	18 set(s)
PRO-CT-M116	ArmaProtect CT Firestop Cable tube 200 mm / Ø 116 mm packed as 1 cable tube with 2 soft plugs	8 set(s)
PRO-CT-S060	ArmaProtect CT Firestop Cable tube 150 mm / Ø 60 mm packed as 1 cable tube with 2 soft plugs	30 set(s)
PRO-CT-S090	ArmaProtect CT Firestop Cable tube 150 mm / Ø 90 mm packed as 1 cable tube with 2 soft plugs	24 set(s)
PRO-CT-S116	ArmaProtect CT Firestop Cable tube 150 mm / Ø 116 mm packed as 1 cable tube with 2 soft plugs	12 set(s)

Firestop mortar. Colour: Grey

Item	Description	Content
PRO-CM-20kg	ArmaProtect CM Firestop mortar	20 kg

Firestop filler. Colour: White

Item	Description	Content
PRO-ABLF-15kg	ArmaProtect ABLF Firestop filler mastic packed in a pail	15 kg
PRO-ABLF-12.5kg	ArmaProtect ABLF Firestop filler mastic packed in a pail	12.5 kg
PRO-ABLF-310ml	ArmaProtect ABLF Firestop filler mastic packed in a cartridge	310 ml

Firestop wrap

Item	Description	Content
PRO-FW2-10m	ArmaProtect FW2 Firestop wrap	10 m

Firestop identification plate.

Item	Description	Content
PRO-ID-SET	ArmaProtect ID identification plate set	5 pieces

All data and technical information are based on results achieved under the specific conditions defined according to the testing standards referenced. Despite taking every precaution to ensure that said data and technical information are up to date, Armacell does not make any representation or warranty, express or implied, as to the accuracy, content or completeness of said data and technical information. Armacell also does not assume any liability towards any person resulting from the use of said data or technical information. Armacell reserves the right to revoke, modify or amend this document at any moment. It is the customer's responsibility to verify if the product is suitable for the intended application. The responsibility for professional and correct installation and compliance with relevant building regulations lies with the customer. This document does not constitute nor is part of a legal offer or contract. By ordering/receiving product you accept the Armacell General Terms and Conditions of Sale applicable in the region.

At Armacell, your trust means everything to us, so we want to let you know your rights and make it easier for you to understand what information we collect and why we collect it. If you would like to find out about our processing of data, please visit our Data Protection Policy.

© Armacell, 2022. All rights reserved. Trademarks followed by ® or ™ are trademarks of the Armacell Group.

00581 | ArmaProtect CT | ArmaProtect | PDS | 022022 | en-WW

ABOUT ARMACELL

As the inventors of flexible foam for equipment insulation and a leading provider of engineered foams, Armacell develops innovative and safe thermal, acoustic and mechanical solutions that create sustainable value for its customers. Armacell's products significantly contribute to global energy efficiency making a difference around the world every day. With more than 3,000 employees and 24 production plants in 16 countries, the company operates two main businesses, Advanced Insulation and Engineered Foams. Armacell focuses on insulation materials for technical equipment, high-performance foams for high-tech and lightweight applications and next generation aerogel blanket technology.

For more information, please visit:
www.armacell.com

