

CUSTOMISED 2-IN-1 SOLUTIONS FOR VALVES

# DanCap Valve Boxes

At Armacell we recognised that insulating valves takes considerable time and effort. Our new DanCap products now provide an innovative 2-in-1 solution for insulating valves and Victualic elbows quickly and easily. These two-piece boxes and elbows consist of polyurethane insulation with a polystyrene covering. They are designed for a wide variety of valves and are quickly fastened with metal rings or straps. For service and maintenance work the products can be easily removed and re-installed. **Smart, fast, cost-effective.**

[www.armacell.com](http://www.armacell.com)



 **armacell**<sup>®</sup>  
MAKING A DIFFERENCE AROUND THE WORLD

# DANCAP VALVE BOX INSULATION

Our DanCap valve boxes consist of two parts which cover the valve on both sides. They are easily fixed with the supplied metal rings or straps with snap lock. DanCap boxes can be removed easily for service and maintenance work and re-installed over and over again.

This DanCap guide is intended to simplify the selection of the appropriate valve box. To find the right solution for the valve in question, just browse through the brochure. As the measurements of valves and fittings may change, it is important to compare the information given here with the actual dimensions.

## // Covering

Material: Polystyrene (PS)  
Thickness: 0.8 – 1.5 mm  
Colour: Grey (RAL 7035)

## // Insulation

Material: Polyurethane (PUR),  
CFC- and halogen-free  
Density: 55 – 60 kg/m<sup>3</sup>  
Temp. range: +10 – +120 °C

## OVERVIEW VALVE BOXES: PIECES PER CARTON

ARTICLE		955 309	955 311	955 312	955 315	955 314
		MG KS	MG LS	MS	MSK	MSTA
DN	Inch					
10	3/8					36
15	1/2	93	64	48	60	36
20	3/4	55	48	28	40	36
25	1	40	40	22	40	23
32	1 1/4	30	28	18	28	18
40	1 1/2	20	18	18	20	12
50	2	12	12	12	9	8
65	2 1/2					
80	3					
100	4					
125	5					
150	6					
200	8					
250	10					
300	12					



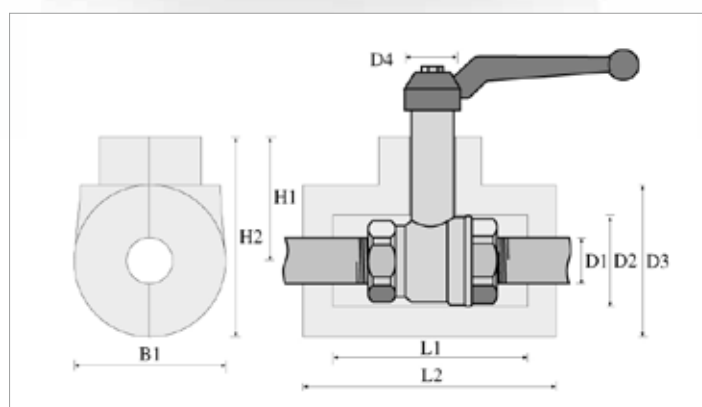


PROTECTING VALVES HAS NEVER BEEN SO EASY. CHOOSE OUR DANCAP SOLUTIONS TO PREVENT UNNECESSARY THERMAL LOSS AND INCREASE THE ENERGY EFFICIENCY OF THE MECHANICAL EQUIPMENT.

955 317	955 310	955 308	955 313	955 320	955 321	955 322	955 323	955 500
MS COM	FG	FGC	SF	FL	KV	MG STRA	FTVV	STAF
	8	8				25		
44	8	8	12	16	16	25	9	
27	12	12	12	16	16	25	9	
21	12	12	12	16	16	25	9	
18	11	10	8	6	6	19	6	
8	12	6	6	16	6	18	6	
8	9	6	6	8	8	18	5	1
	6	4	5	8	8		4	1
	6	4	4	12	12		4	1
	8	2	2	12	12		3	1
				5	5			1
				6	6			1
				4	4			
				3	6			
				4	4			

# MGLS

VALVE BOX INSULATION FOR  
BALL VALVES WITH LONG  
SPINDLE



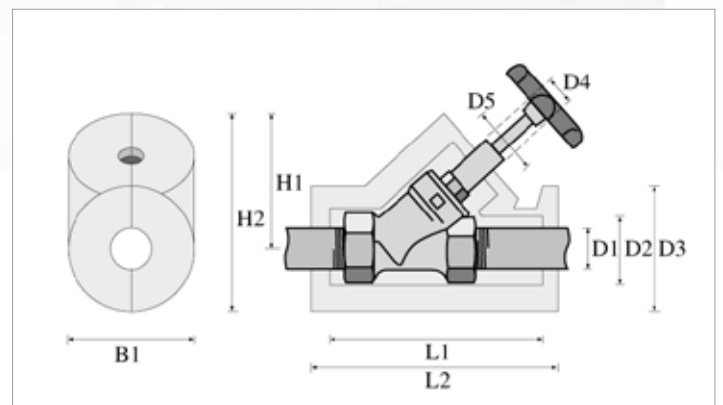
**MEASUREMENTS [mm]**

DN	INCH	D1	D2	D3	D4	L1	L2	B1	H1	H2	WEIGHT [g]
15	1/2	22	35	73	25	95	125	73	60	97	80
20	3/4	28	45	90	27	100	130	90	70	112	95
25	1	35	55	95	27	110	145	95	78	120	125
32	1 1/4	44	65	105	27	130	170	105	80	130	145
40	1 1/2	50	80	130	33	140	175	130	85	148	175
50	2	62	95	160	33	160	200	160	95	173	320



# MS

VALVE BOX INSULATION FOR  
VALVES WITH 45° SPINDLE

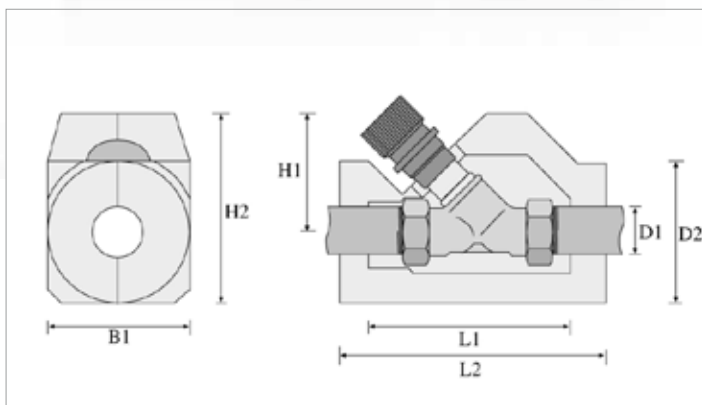


MEASUREMENTS IN [mm]

DN	INCH	D1	D2	D3	D4	L1	L2	B1	H1	H2	WEIGHT [g]
15	1/2	22	35	73	16	130	150	73	84	120	110
20	3/4	28	40	90	16	160	180	90	100	144	145
25	1	35	47	95	16	175	195	95	107	154	155
32	1 1/4	44	60	105	16	198	225	105	126	178	210
40	1 1/2	50	67	130	16	220	250	130	143	208	305
50	2	62	80	160	16	250	285	160	190	270	525

# MSK

MSK FITS THE FOLLOWING TYPES OF VALVES: MNG KOMBI PLUS; MNG ALWA AND MOST KEMPER VALVES

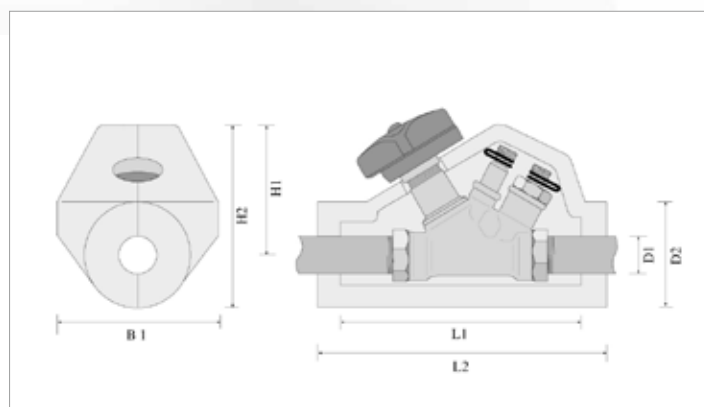
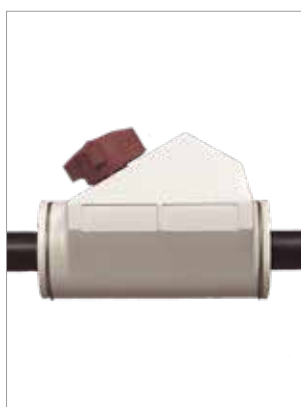


## MEASUREMENTS IN [mm]

DN	Inch	D1	D2	L1	L2	B1	H1	H2	WEIGHT [g]
15	1/2	22	70	115	150	70	60	95	90
20	3/4	28	70	115	150	70	80	120	120
25	1	35	89	135	170	92	67	111	125
32	1 1/4	44	95	156	186	95	95	148	140
40	1 1/2	50	103	170	210	103	95	148	160
50	2	62	125	210	250	123	120	180	250

# MSTA

MSTA VALVE BOX IS SPECIALLY DESIGNED TO FIT TA VALVES OF THE FOLLOWING TYPES: STS, STA, STAD, STAM.



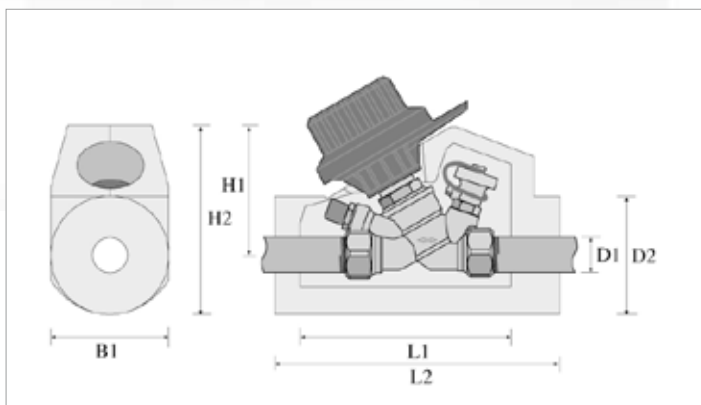
MEASUREMENTS IN [mm]

DN	Inch	D1	D2	L1	L2	B1	H1	H2	WEIGHT [g]
10/15/20	3/8 - 1/2 - 3/4	28	70	141	165	89	124	116	90
25	1	35	82	161	191	98	139	125	125
32	1 1/4	44	95	190	220	109	156	135	150
40	1 1/2	49	103	200	230	120	172	103	190
50	2	62	123	231	261	120	181	130	210
50	2	62	125	210	250	123	120	180	250



# MSCOM

MS COM VALVE BOX FITS E.G. COMAP  
BALANCING VALVES TYPE SAR 750.

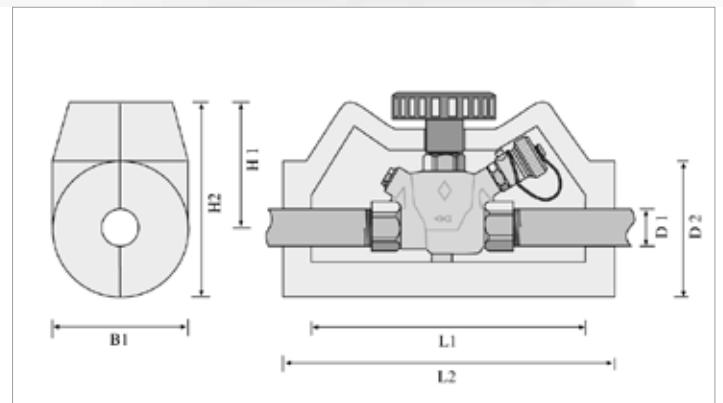


## MEASUREMENTS IN [mm]

DN	Inch	D1	D2	L1	L2	B1	H1	H2	WEIGHT [g]
15	1/2	22	70	127	175	70	82	117	110
20	3/4	28	90	142	190	90	82	127	155
25	1	35	95	160	204	98	87	135	165
32	1 1/4	44	102	170	220	102	105	155	210
40	1 1/2	50	130	180	230	130	110	175	305
50	2	62	160	185	235	160	112	192	430

# MGSTRA

MG-STRATO IS DESIGNED TO FIT  
REGULATION VALVES, E.G.  
HEIMEIER TYPE  
STRATO-A, STRATO-R,  
STRATO-MAT-D AND  
STRATO-MNT-DV

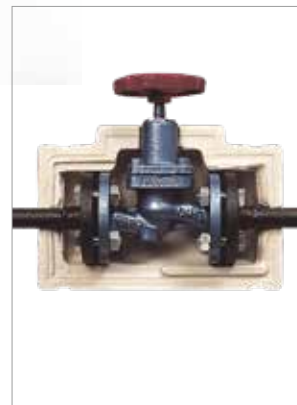
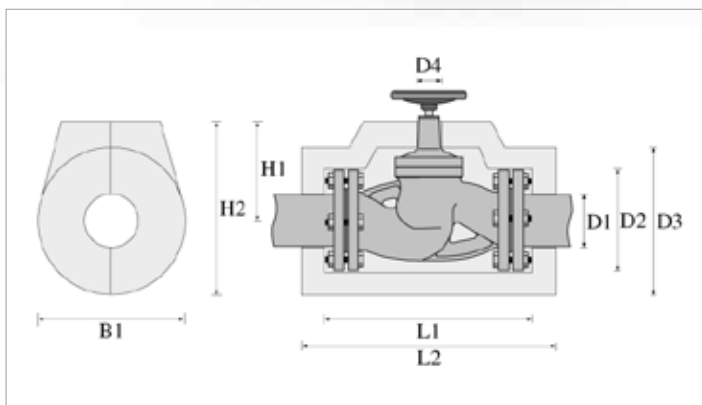


## MEASUREMENTS IN [mm]

DN	Inch	D1	D2	L1	L2	H1	H2	B1	WEIGHT [g]
10/15/20	3/8 - 1/2 - 3/4	28	88	190	220	85	129	88	140
25	1	35	88	195	230	88	137	88	140
32	1 1/4	44	95	213	245	99	146	95	180
40	1 1/2	49	128	198	242	96	160	128	240
50	2	62	140	202	244	99	168	140	240

# FG

SUITABLE FOR  
FLANGE GATE VALVES

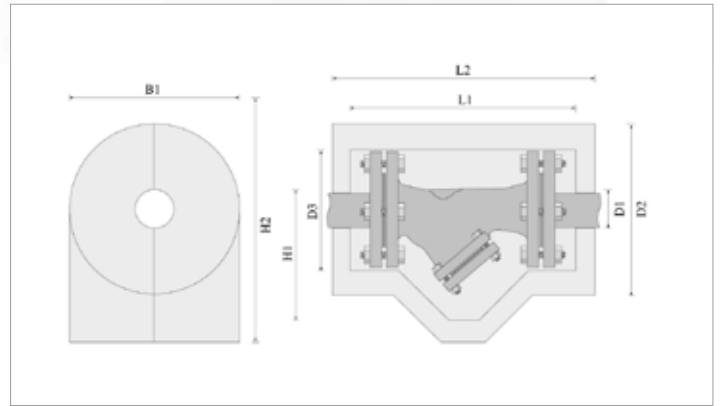


## MEASUREMENTS IN [mm]

DN	Inch	D1	D2	D3	D4	L1	L2	H1	H2	B1	WEIGHT [g]
10/15	3/8 - 1/2	18	100	150	25	205	255	95	170	150	400
20/25	3/4 - 1	28	120	180	36	240	300	115	175	180	560
32	1 1/4	44	130	170	64	275	315	120	205	170	910
40	1 1/2	50	164	234	42	280	350	143	260	234	910
50	2	62	170	255	52	320	405	125	210	255	1230
65	2 1/2	78	190	275	44	405	480	155	250	275	1430
80	3	91	210	290	58	395	495	185	290	290	1970
100	4	119	230	330	54	475	575	210	440	330	3060

# SF

VALVE BOX INSULATION FOR  
DIRT COLLECTORS WITH  
FLANGE AND 45° VALVES  
WITH FLANGE

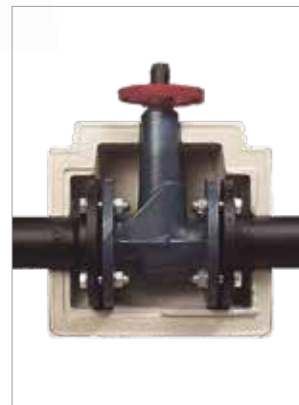
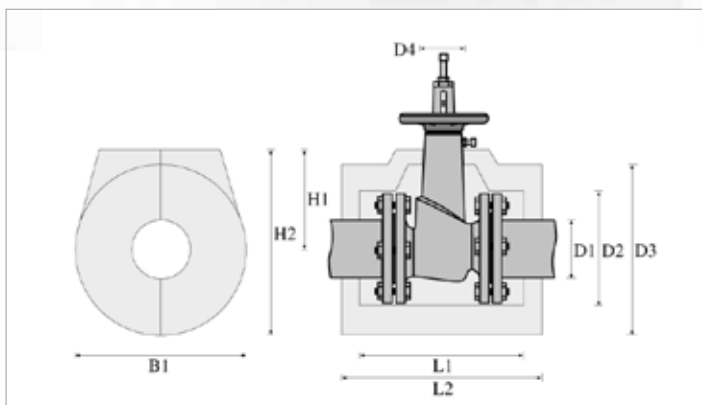


## MEASUREMENTS IN [mm]

DN	INCH	D1	D2	D3	L1	L2	H1	H2	B1	WEIGHT [g]
15	1/2	24	170	120	223	263	110	215	170	390
20	3/4	30	170	120	223	263	110	215	170	390
25	1	38	170	120	220	263	130	215	170	390
32	1 1/4	48	190	150	248	288	160	255	190	420
40	1 1/2	52	220	160	272	322	193	303	220	630
50	2	62	250	170	320	400	225	350	250	1650
65	2 1/2	78	275	195	395	475	240	378	275	1850
80	3	91	295	215	395	495	280	428	295	2150
100	4	116	330	230	470	570	325	490	330	3100

# FGC

VALVE BOX INSULATION TO FIT  
FLANGE GATE VALVES WITH  
HIGH SPINDLE

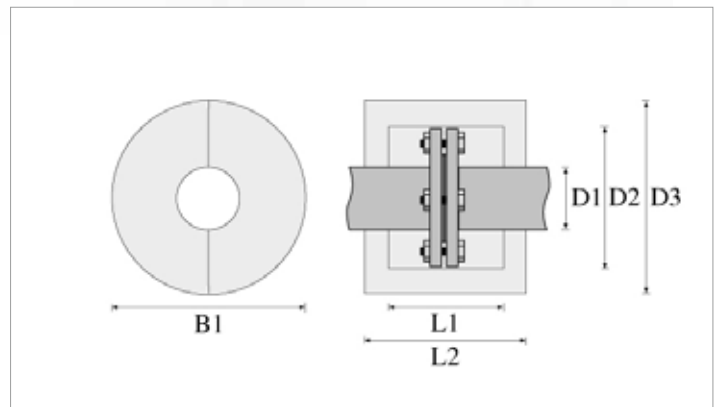


## MEASUREMENTS IN [mm]

DN	INCH	D1	D2	D3	D4	L1	L2	H1	H2	B1	WEIGHT [g]
15	1/2	22	100	150	25	205	255	95	170	150	400
20	3/4	28	120	180	36	240	300	115	205	180	560
25	1	35	160	235	42	290	340	140	258	235	910
32	1 1/4	44	145	195	50	220	260	107	205	195	585
40	1 1/2	50	160	220	50	230	280	140	250	220	880
50	2	62	175	255	56	245	365	150	278	255	1190
65	2 1/2	78	195	275	56	265	325	175	312	275	1190
80	3	91	210	290	67	275	335	200	345	290	1255
100	4	119	230	310	67	290	350	210	365	310	1415

# FL

## VALVE BOX INSULATION FOR FLANGES

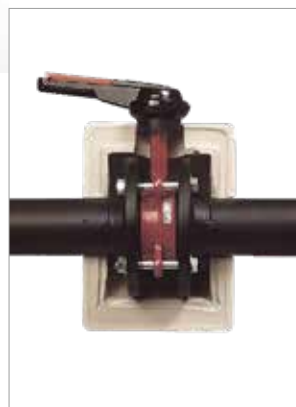
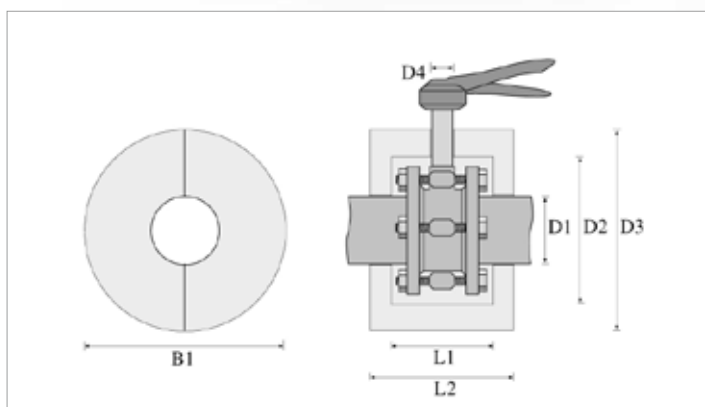


### MEASUREMENTS IN [mm]

DN	Inch	D1	D2	D3	L1	L2	B1	WEIGHT [g]
15	1/2	22	120	170	100	140	170	200
20	3/4	27	120	170	100	140	170	200
25	1	35	120	170	100	140	170	200
32	1 1/4	44	160	220	120	170	220	400
40	1 1/2	49	160	220	120	170	220	400
50	2	60	195	275	135	195	275	600
65	2 1/2	76	195	275	135	195	275	600
80	3	90	230	310	145	205	310	800
100	4	115	230	310	145	205	310	800
125	5	140	260	340	150	210	340	900
150	6	170	295	385	165	235	385	1000
200	8	220	350	440	175	245	440	1400
250	10	274	420	520	200	280	520	1600
300	12	326	475	575	220	300	595	2000

# KV

## VALVE BOX INSULATION FOR BUTTERFLY VALVES

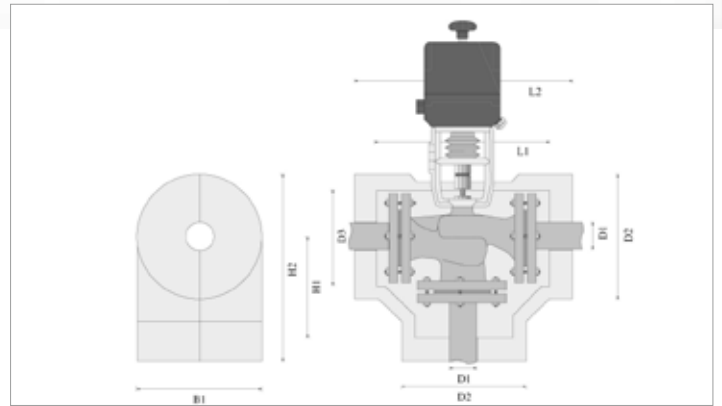
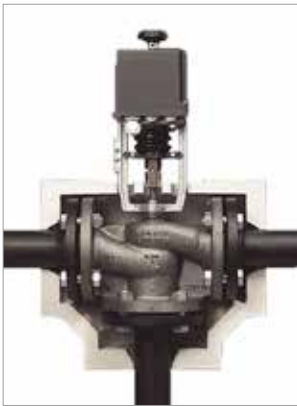


### MEASUREMENTS IN [mm]

DN	Inch	D1	D2	D3	L1	L2	B1	D4	WEIGHT [g]
15	1/2	22	120	170	100	140	170	27	200
20	3/4	w	120	170	100	140	170	27	200
25	1	35	120	170	100	140	170	27	200
32	1 1/4	44	160	220	120	170	220	34	400
40	1 1/2	49	160	220	120	170	220	34	400
50	2	60	195	275	135	195	275	34	600
65	2 1/2	76	195	275	135	195	275	40	600
80	3	90	230	310	145	205	310	40	800
100	4	115	230	310	145	205	310	40	800
125	5	140	260	340	150	210	340	40	900
150	6	170	295	385	165	235	385	40	1000
200	8	220	350	440	175	245	440	40	1400
250	10	274	420	520	200	280	520	40	1600
300	12	326	475	575	220	300	595	40	2000

# FTVV

MS VALVE BOX FITS MANY VALVES WITH SOCKET WELD AND ANGLED SPINDLE



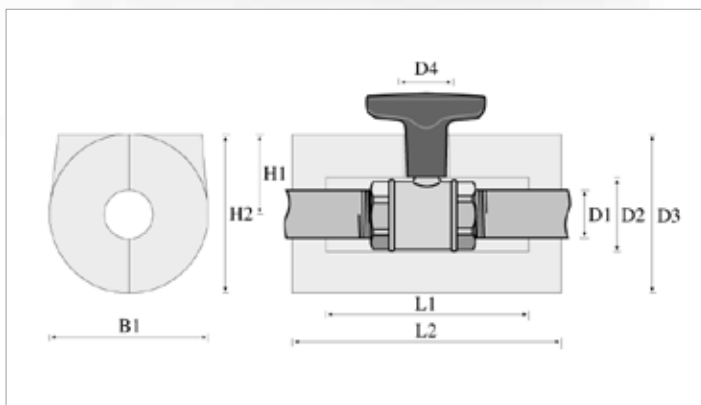
## MEASUREMENTS IN [mm]

DN	INCH	D1	D2	D3	L1	L2	H1	H2	B1	WEIGHT [g]
15/20/25	½ - ¾ - 1	25/31/36	161	125	220	280	130	240	161	650
32/40	1 ¼ - 1 ½	44 / 49	210	160	260	320	145	280	210	750
50	2"	62	220	175	298	358	160	300	220	1000
65/80	2 ½ - 3	78 / 91	292	208	380	460	190	378	292	2250
100	4	116	345	245	430	530	190	412	345	2800



# MGKS

VALVE BOX INSULATION FOR BALL VALVES WITH SHORT SPINDLE



MEASUREMENTS IN [mm]

DN	INCH	D1	D2	D3	D4	L1	L2	B1	H1	H2	WEIGHT [g]
15	1/2	22	35	73	25	95	125	73	37	73	75
20	3/4	28	45	90	27	100	130	90	45	90	100
25	1	35	55	95	27	110	150	95	48	95	125
32	1 1/4	44	65	105	27	130	170	105	57	105	135
40	1 1/2	50	80	130	33	140	180	130	65	130	175
50	2	62	95	160	33	160	200	160	80	160	330



PROBLEM



SOLUTION

# INSULATION FOR VICTAULIC ELBOWS

- // PREVENTS ENERGY LOSSES
- // MATERIAL: PUR INSULATION WITH PS CLADDING
- // DENSITY: 55 – 60 kg/m<sup>3</sup>
- // SERVICE TEMPERATURE: +10°C – +110°C
- // AVAILABLE IN 6 SIZES (Ø 76 – 268 mm)



Product number	Pieces / carton	Pipe dimension DN	Pipe dimension Ø	Largest insulation thickness [mm]
955600076	10	65	76	45
955600089	8	80	89	52
955600114	6	100	114	55
955600139	4	125	139	60
955600219	4	200	219	65
955600268	4	250	268	65

All data and technical information are based on results achieved under the specific conditions defined according to the testing standards referenced. It is the customer's responsibility to verify if the product is suitable for the intended application. The responsibility for professional and correct installation and compliance with relevant building regulations lies with the customer. Armacell takes every precaution to ensure the accuracy of the data provided in this document and all statements, technical information and recommendations contained within are believed to be correct at the time of publication. By ordering/receiving product you accept the **Armacell General Terms and Conditions of Sale** applicable in the region. Please request a copy if you have not received these.

© Armacell, 2019. ® and TM are trademarks of the Armacell Group and is registered in the European Union, United States of America, and other countries. 00180 | Valve Caps | Insulation Overview | ProductSet | 072019 | EMEA | EN-E

## ABOUT ARMACELL

---

As the inventors of flexible foam for equipment insulation and a leading provider of engineered foams, Armacell develops innovative and safe thermal, acoustic and mechanical solutions that create sustainable value for its customers. Armacell's products significantly contribute to global energy efficiency making a difference around the world every day. With 3,100 employees and 24 production plants in 16 countries, the company operates two main businesses, Advanced Insulation and Engineered Foams. Armacell focuses on insulation materials for technical equipment, high-performance foams for high-tech and lightweight applications and next generation aerogel blanket technology. For more information, please visit: [www.armacell.com](http://www.armacell.com).

For product information, please visit:  
[www.armacell.com](http://www.armacell.com)

 **armacell**<sup>®</sup>  
MAKING A DIFFERENCE AROUND THE WORLD