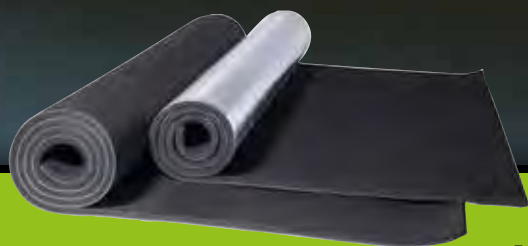


ARMACOMFORT APPLICATION MANUAL



ArmaComfort® AB

Content

Tools for installing ArmaComfort	03
The Insulating large pipes with ArmaComfort sheet	04
Insulating “over” pipe supports (encapsulating)	06
One-part T-piece with ArmaComfort sheet.....	07
Angle T-piece (off-set) using ArmaComfort sheet	08
90° bend using ArmaComfort sheet.....	10

The basis for the application of ArmaComfort is the Armaflex Application Manual. The general application guidelines described there must be observed.

Tools for installing ArmaComfort

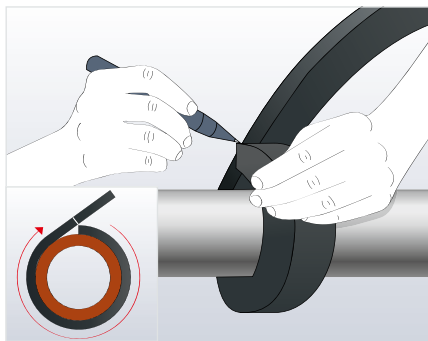
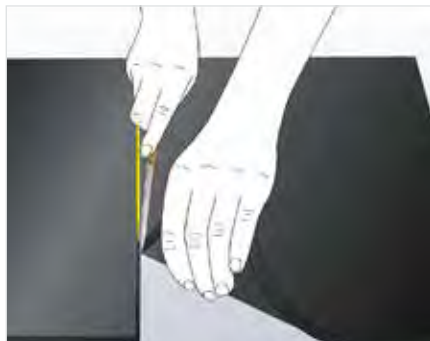
	Folding rule / tape measure		Straight edge
	Silver ink marker pen		Brushes with short, firm bristles
	Dividers		Sharpened pipe ends for the most common pipe diameters
	Callipers		Gluemaster
	Short knife* 75mm		Sharpening stone*
	Long knife* 300mm		

* A tool kit is available consisting of a set of three knives and a sharpening stone.

Insulating large pipes with ArmaComfort sheet

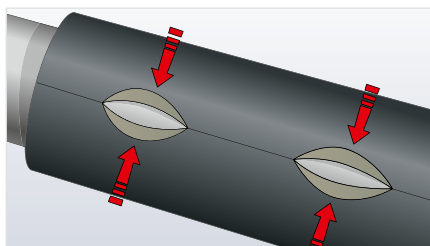
Determine the circumference of the pipe.

Important: Always measure with a strip of ArmaComfort of the thickness to be used for the insulation.



RECOMMENDED PROCEDURE

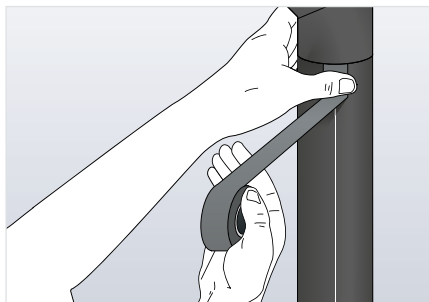
1. Cut ArmaComfort sheet to the required size. Apply Armaflex adhesive to the cut surfaces in a thin layer, allow to tack dry.
2. Press together at the ends and then in the middle. Close the entire seam starting from the middle.



Note: In order to prevent the seam re-opening, ensure the adhesive has been fully applied to the edges of the seam and ensure the correct amount of adhesive has been applied.

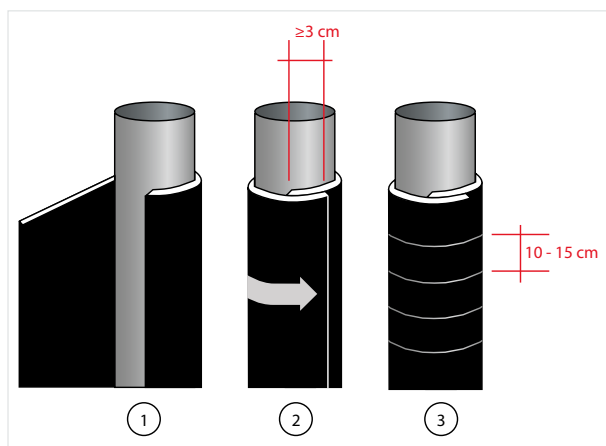
- For additional reliability it is also necessary to secure the longitudinal joints of ArmaComfort sheets with ArmaComfort AB tape. Ensure that the surface is clean, dry and free from contamination, if necessary please use Armaflex Cleaner.

Check the open time of the adhesive to ensure it is still fit for use!!!



ALTERNATIVE PROCEDURE

- Determine the pipe circumference as described above and add at least 3 cm for the overlap.
- Cut ArmaComfort sheet to the required size.

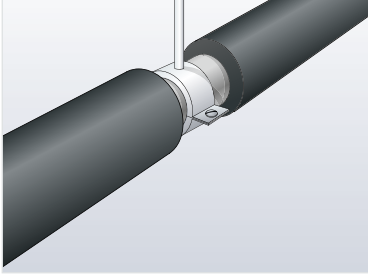


- Position the sheet at right angles to the pipe and place around the pipe. Then fix the sheet with wires at 10 - 15 cm intervals.

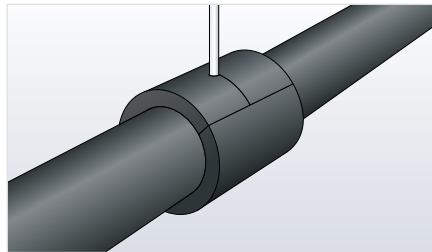
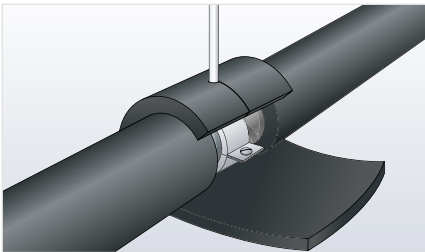
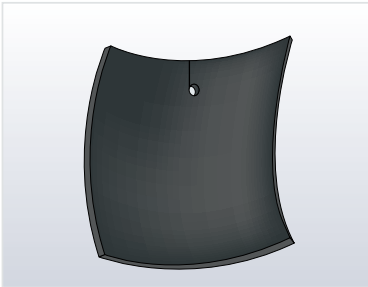
Note: Take care not to tighten the wires so much that the insulation is damaged or the insulation thickness is significantly reduced.

Insulating “over” pipe supports (encapsulating)

The insulation of standard brackets can be carried out using the following procedure:



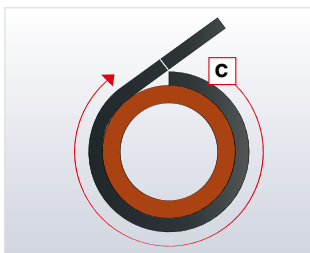
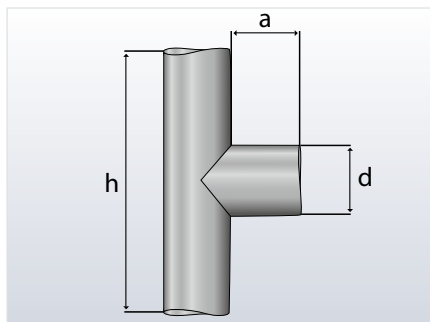
1. Install the ArmaComfort as close to the fixing bracket as possible. Seal the ends of the pipe support to the pipe with Armaflex adhesive.
2. Determine the circumference of the insulated pipe and measure the width of the uninsulated area, allow a 2 cm overlap on both sides.
3. Transfer the measurements to the ArmaComfort sheet and cut out the cover.
4. Punch out a small hole to allow for the threaded rod and slit the sheet in the area of the opening as shown.



5. Place the ArmaComfort cover around the clamp. Use Armaflex adhesive to create a vapour-tight seal on all seams and joints, especially around the threaded rod.

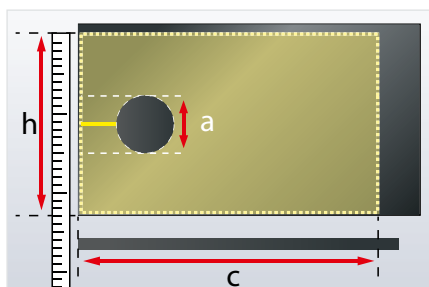
If the pipe clamps are larger than the insulation thickness, a double layer of insulation material must be applied.

One-part T-piece with ArmaComfort sheet

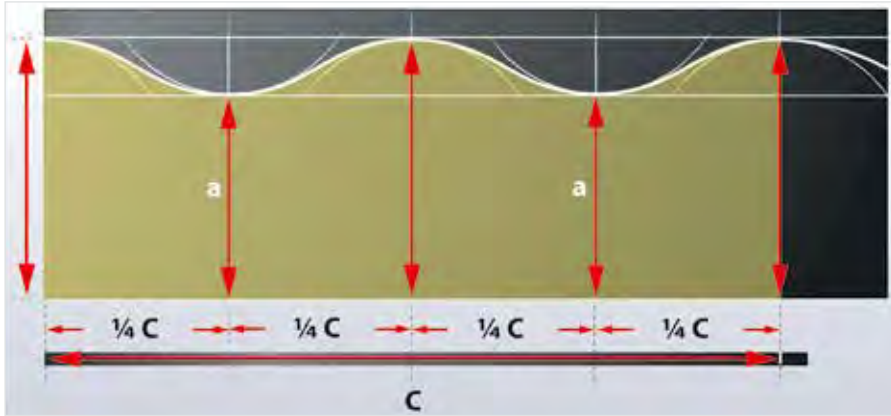


1. Measure the circumference c of the uninsulated main pipe and the branch pipe with a strip of ArmaComfort of the thickness to be used for the insulation.
2. Determine height h of the main pipe and length a of the branch pipe.
3. Transfer first the height h and the circumference c of the main pipe to a piece of ArmaComfort sheet and mark the cutout for the branch pipe d .

Note: Cutouts should always be made 5 mm smaller than measured. It is recommended that the cutouts are marked in the first quarter of the ArmaComfort sheet

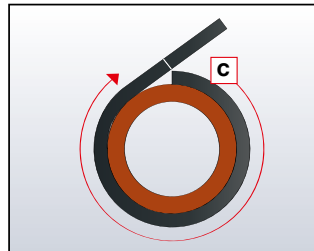
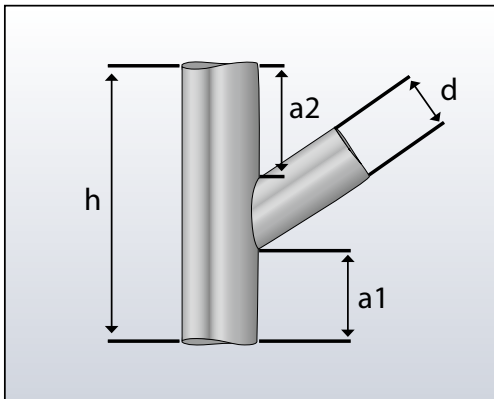


4. Cut the insulation and fit it on the main pipe. Then apply a thin coat of Armaflex adhesive to all seams of the form piece. Allow to tack dry, fit, then press together firmly.
5. Now transfer the circumference c and the length a of the branch pipe to a piece of ArmaComfort sheet. Mark off the circumference into 4 equal sections.



6. With the radius of the insulated main pipe mark out 5 arcs around the intersections of the lines and join the arcs with a continuous line. Cut out the shaped section of sheet.
7. Apply adhesive to all seams, allow to tack dry, then seal around the T-piece.

Angle T-piece (off-set) using ArmaComfort sheet



Determine:

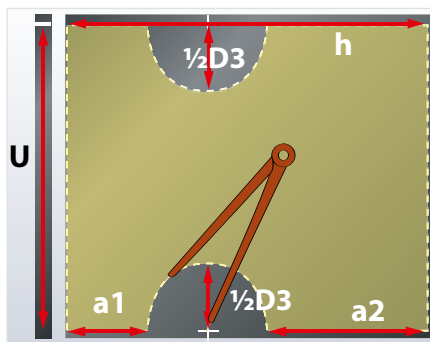
c = the circumference of the straight pipe. Measure with a strip of the ArmaComfort product being used. Do not stretch the strip.

h = measure the distance from the upper to the lower coupling / socket

a1 = measure the distance from angle T-piece to the lower coupling / socket of the straight wastewater pipe

a2 = measure the distance from angle T-piece to the upper coupling / socket of the straight wastewater pipe

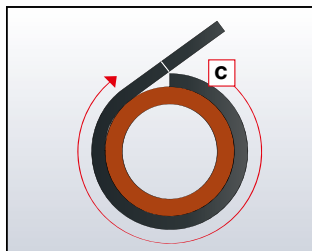
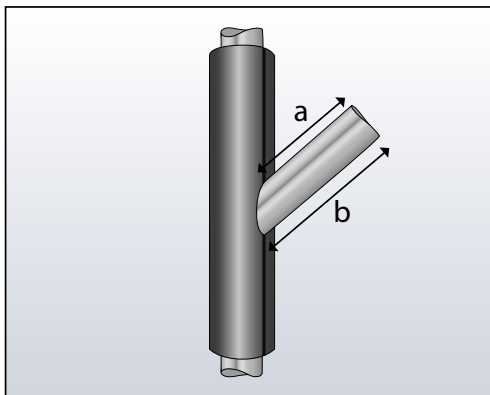
d = the diameter of the branch pipe



Transfer the measurements **c**, **a1**, **a2**, **h** and **d** to the ArmaComfort sheet and mark the cutout required for the straight part of the branch.

Cut the sheet and attach the insulation to the pipe body using Armaflex adhesive.

Determine the measurements of the branch pipe



a = shortest distance from the insulated straight part of the branch to the coupling / socket of the branch pipe

b = longest distance from the insulated straight part of the branch to the coupling / socket of the branch pipe

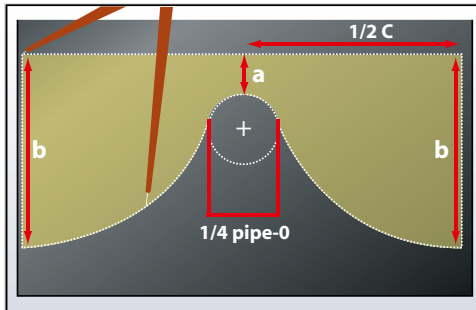
c = circumference of the branch pipe. Measure with a strip of the Arma-Comfort product being used.

Using the circumference of the branch pipe section prepare a sheet of the ArmaComfort product being used.

Transfer distance **b** on the outer boundary liner and distance **a** on the centre line.

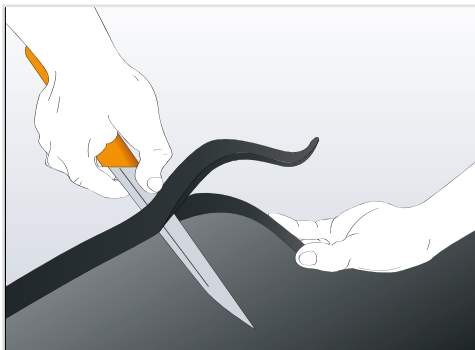
Determine the diameter of the insulated valve body. Draw an arc through the endpoint **a** with $1/4$ of this diameter.

Now position the dividers so that a curved line is formed between point B and the circle tangent. [Set $1/2$ the circumference as the radius on the dividers.]



Cut the remaining section of sheet.

Chamfer the sheet away where it is to touch the insulation around the body of the straight section of the branch. Attach the form piece to the pipe body using Armaflex adhesive.



90° bend using ArmaComfort sheet

The insulation is carried out in a series of steps with shaped pieces. These pieces are fabricated using templates.

The appropriate template for each dimension can be downloaded from the Armacell website.

Attention: On the large pipe dimensions the pieces are larger than a sheet of A3 paper. In this case only half of the template is shown. Fold the template paper and place the piece with the red line on the fold to obtain a template the complete piece.

www.armacell.eu/ArmaComfortAB-ElbowTemplates



ArmaComfort AB Application Manual | Template HT Bend DN 75

middle piece (1x)

end pieces

© Armacell Enterprise GmbH & Co. KG

armacell

+10
+20
+30
+40
+50

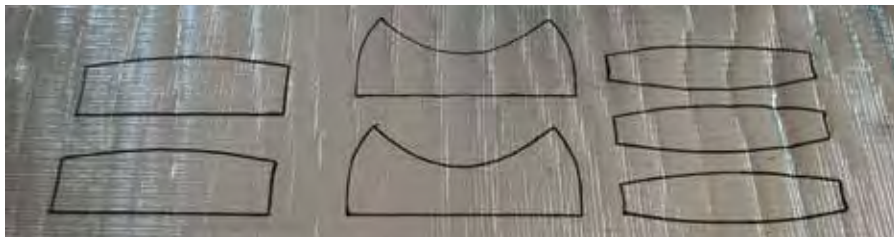
+10
+20
+30
+40

armacell

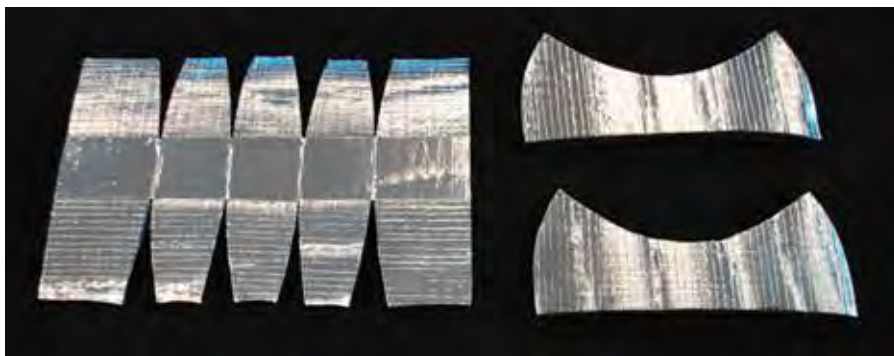
© Armacell Enterprise GmbH & Co. KG

The following procedure is recommended:

- First cut out the templates and use to transfer the outline of the pieces to an ArmaComfort AB /AB Alu sheet. Use a sharp knife to cut the pieces out.



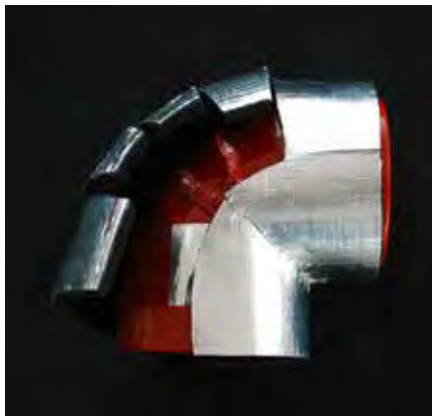
- Lay the first end piece, the appropriate number of middle pieces and the second end piece next to each other with the edges touching. Join the pieces together carefully using the appropriate ArmaComfort tape.



Assembling the cover:



- First install the two throat pieces. Align these two pieces with the centre of the bend and attach to the bend with ArmaComfort tape. Then use a strip of tape to stick the two pieces together in the throat.



- Now install the back section beginning with the first end piece. Attach the ends of these pieces to the throat pieces using ArmaComfort tape.



- Finally, cover all remaining seams with ArmaComfort tape.

Armacell GmbH

Robert-Bosch-Straße 10 · 48153 Münster

Telephone +49 (0) 251 / 76 03-0 · Telefax +49 (0) 251 / 76 03-448

www.armacell.eu · info@armacell.com

Armacell provides this information as a technical service. To the extent the information is derived from sources other than Armacell, Armacell is substantially, if not wholly, relying upon the other source(s) to provide accurate information. Information provided as a result of Armacell's own technical analysis and testing is accurate to the extent of our knowledge and ability, as of date of printing, using effective standardized methods and procedures. Each user of these products, or information, should perform their own tests to determine the safety, fitness and suitability of the products, or combination of products, for any foreseeable purposes, applications and uses by the user and by any third party to which the user may convey the products. Since Armacell cannot control the end use of this product, Armacell does not guarantee that the user will obtain the same results as published in this document. The data and information are provided as a technical service and are subject to change without notice.